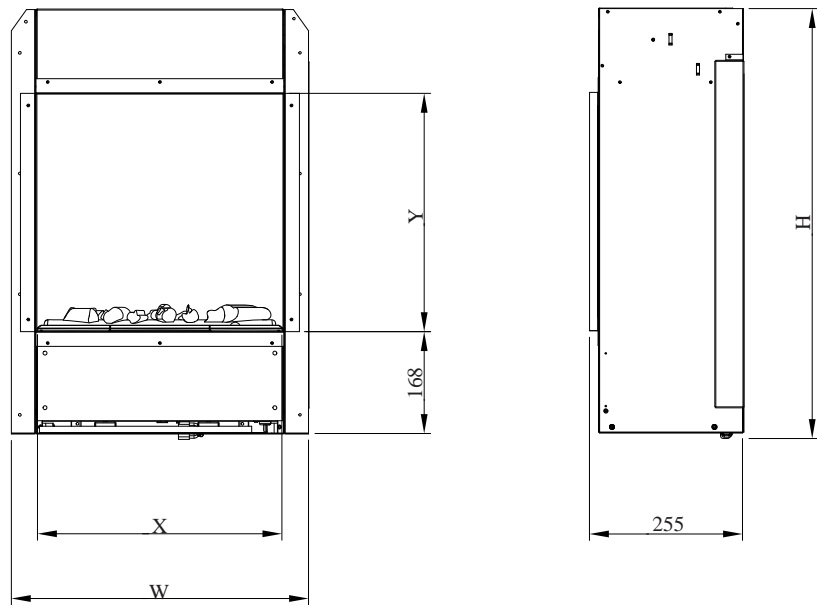


Pro Range  
ENG56-400, ENG68-400, ENG56-600



Fig. 1



MODEL	'H'	'W'	'X'	'Y'
ENG56-400	700mm	490mm	413mm	395mm
ENG68-400	823mm	490mm	413mm	517mm
ENG56-600	700mm	646mm	569mm	395mm

Fig. 2

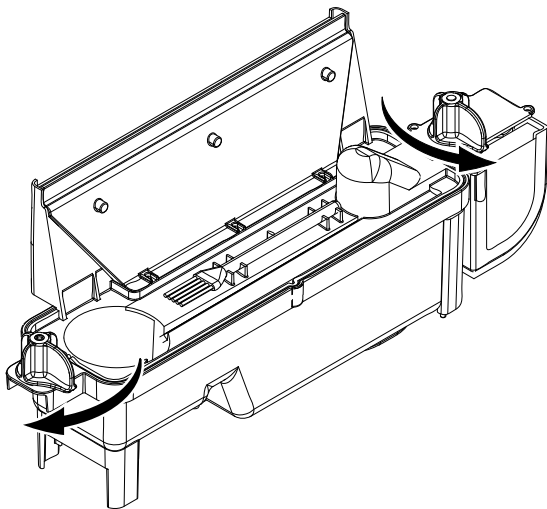


Fig. 3

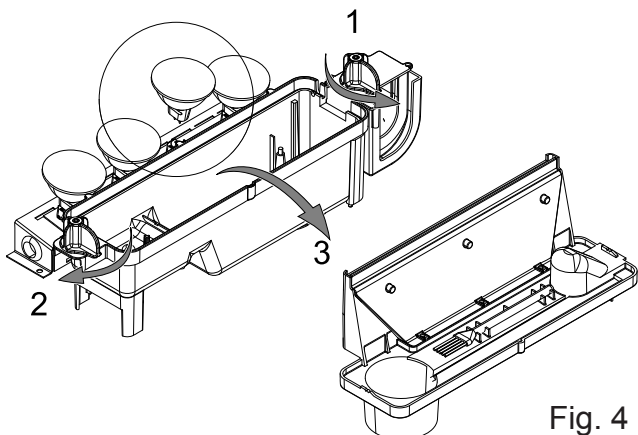
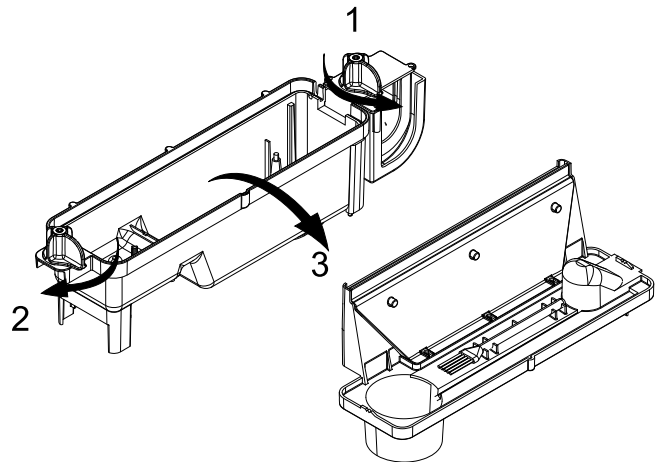


Fig. 4

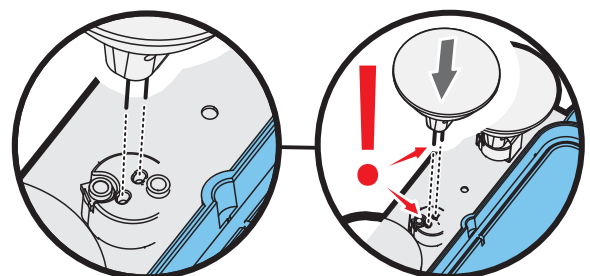


Fig. 4a

Fig. 5

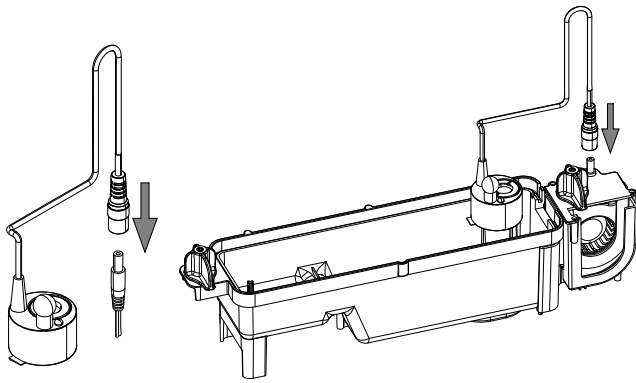


Fig. 5a

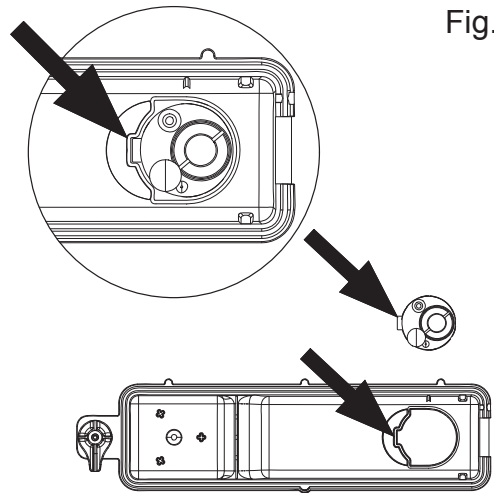


Fig. 5b

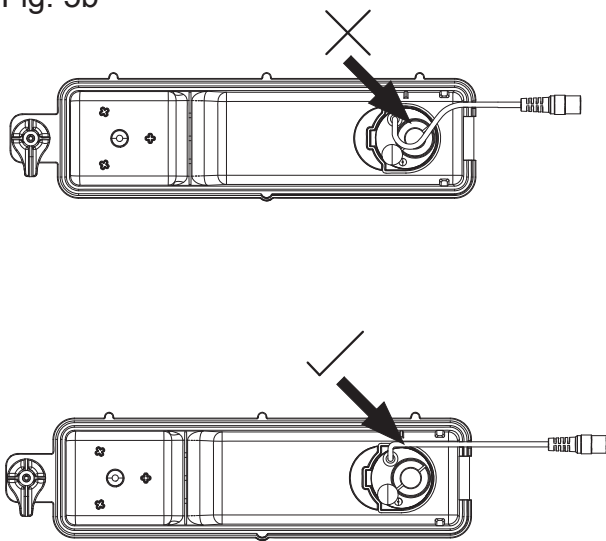


Fig. 6

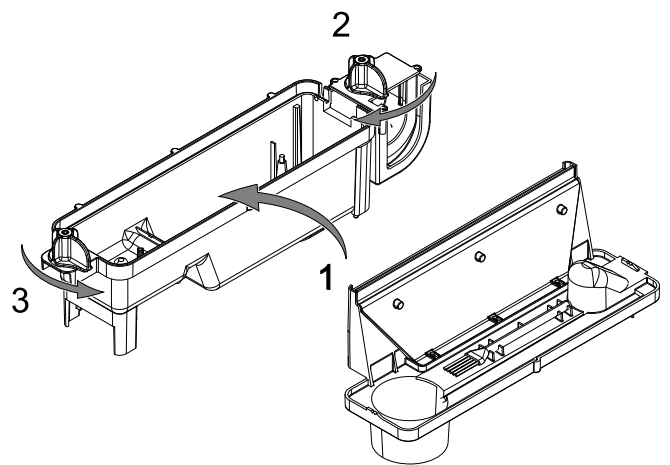


Fig. 7

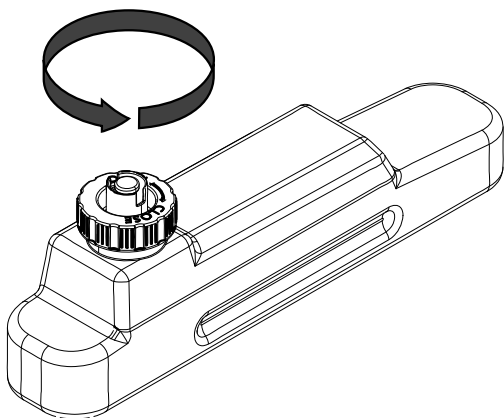


Fig. 8

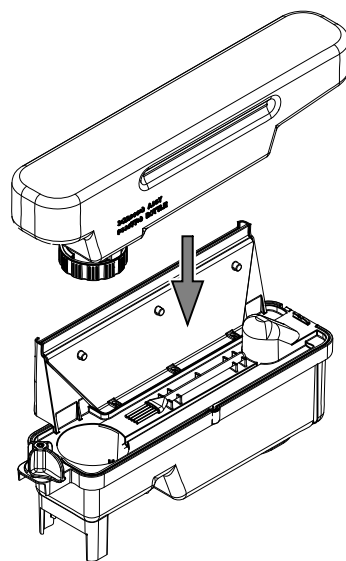


Fig. 9

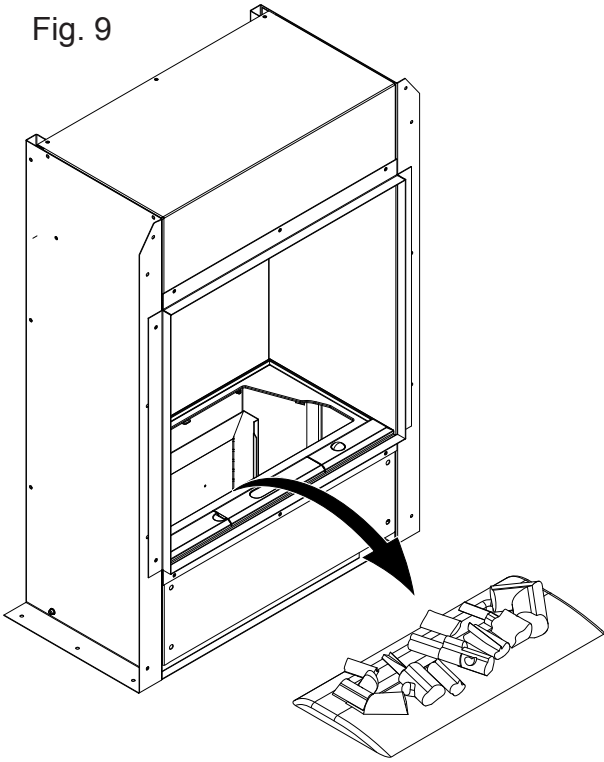


Fig. 10

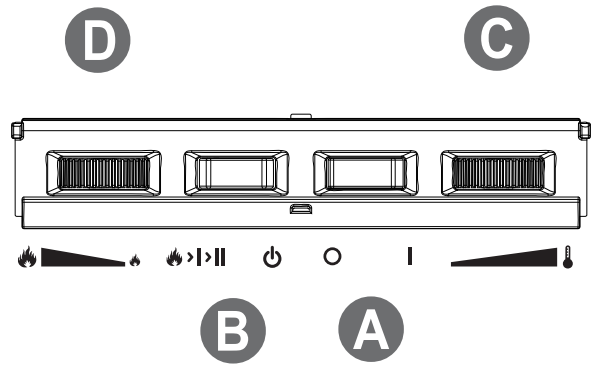


Fig. 11

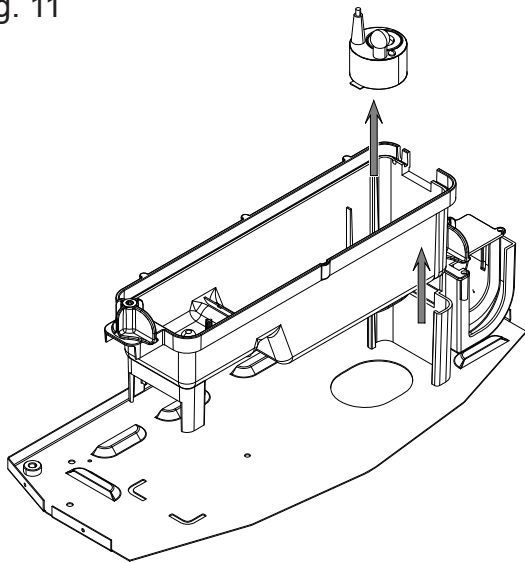


Fig. 12

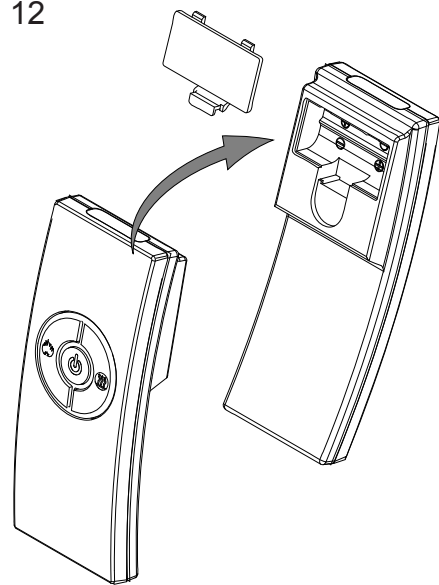


Fig. 13

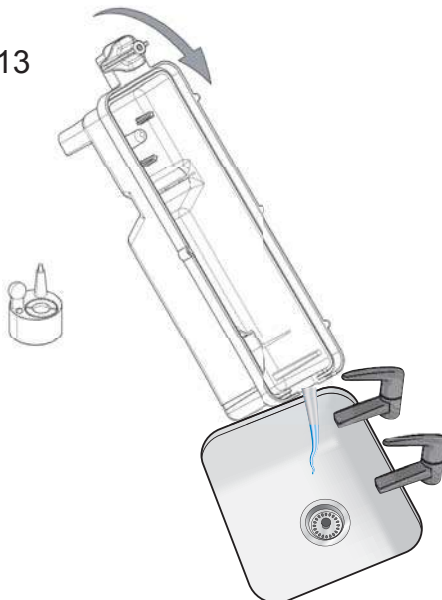


Fig. 14

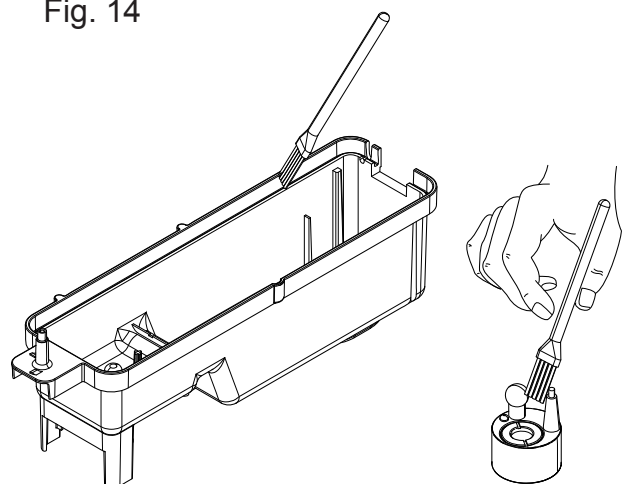


Fig. 15

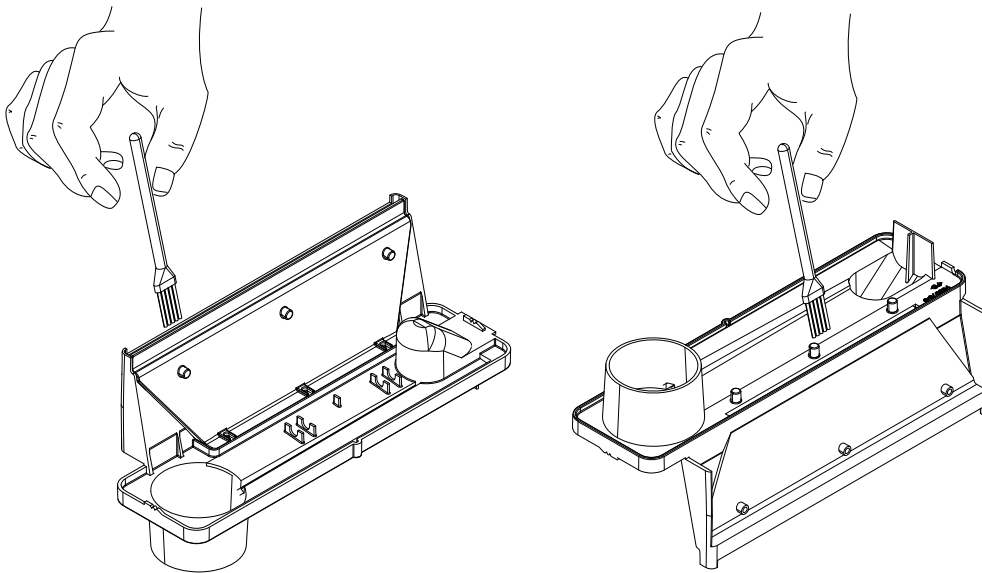


Fig. 16

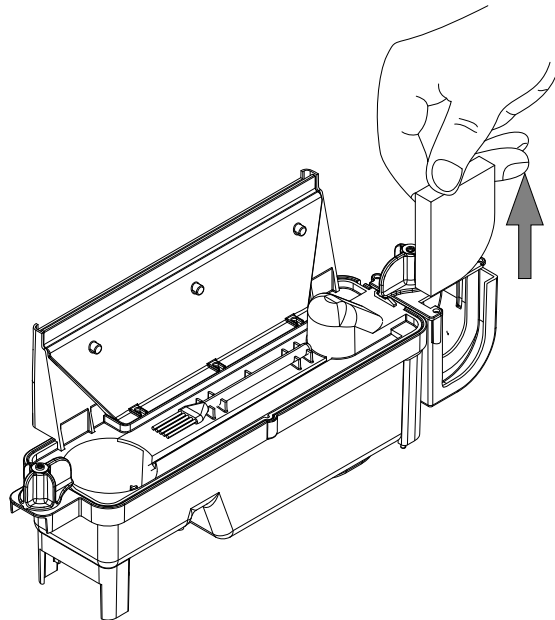
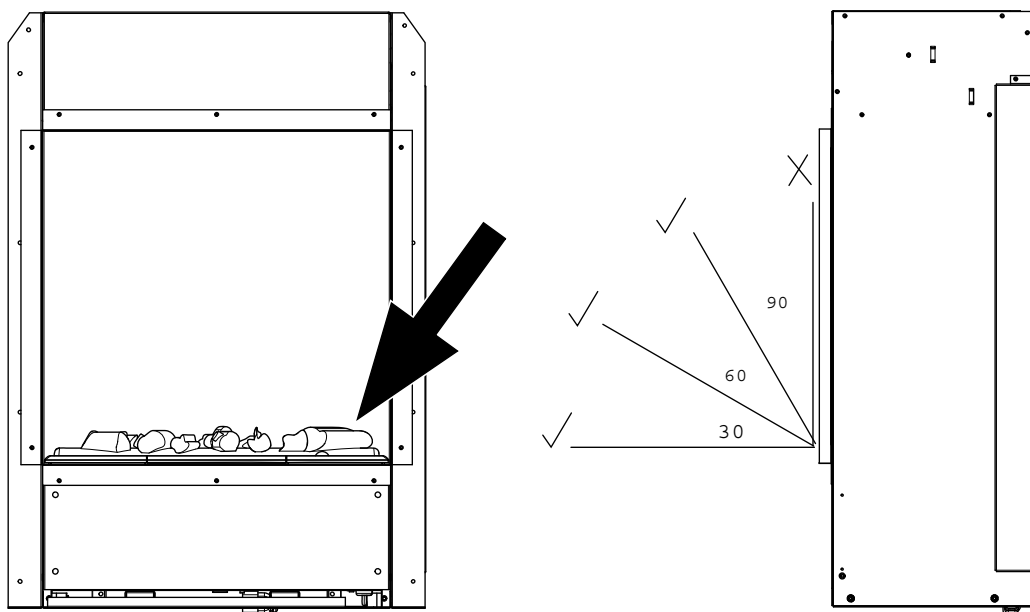


Fig. 17



UK .....	1
NO.....	7
SE.....	12
FI.....	17
PL .....	22
RU.....	27
CZ.....	33
LT .....	38
SK .....	43

## Introduction

Please read this information guide carefully to be able to safely install, use and maintain your product.

## Important Safety Advice

When using electrical appliances, basic precautions should always be followed to reduce the risk of fire, electrical shock and injury to persons, including the following:

### 1. OVERHEATING

**WARNING:** In order to avoid overheating, do not cover the heater. Do not place material or garments on the heater, or obstruct the air circulation around the heater. The heater carries a DO NOT COVER warning.

### 2. DAMAGE.

If the appliance is damaged, check with the supplier before installation and operation.

If the supply cord is damaged it must be replaced by the manufacturer or service agent or a similarly qualified person in order to avoid a hazard.

### 3. LOCATION

Do not use outdoors.

Do not use in the immediate surroundings of a bath, shower or swimming pool.

Do not locate the heater immediately below a fixed socket outlet or connection box.

Ensure that furniture, curtains or other combustible material are positioned no closer than 1 metre from the heater.

Although this heater conforms with safety standards, we do not recommend its use on deep pile carpets or on long hair type of rugs.

### 4. PLUG POSITIONING

The appliance must be positioned so that the plug is accessible.

Keep the supply cord away from the front of the heater.

### 5. USE OF OTHER CONTROLS

Do not use this heater in series with a thermal control, a program controller, a timer or any other device that switches on the heat automatically, since a fire risk exists when the heater is accidentally covered or displaced.

### 6. UNPLUGGING

In the event of a fault unplug the device.

Unplug the device when not required for long periods.

### 7. OWNER/USER

This appliance is not intended for use by children or persons with reduced physical, sensory or mental capabilities, or lack of experience and knowledge, unless they have been given supervision or instruction concerning use of the appliance by a person responsible for their safety. Children should be supervised to ensure that they do not play with the appliance.

### 8. ELECTRICITY

**WARNING – THIS APPLIANCE MUST BE EARTHED.**

This heater must be used on an AC ~ supply only and the voltage marked on the heater must correspond to the supply voltage.

Before switching on, please read the safety advice and operating instructions.

## General Information

Only use filtered water in this appliance.

Always ensure that the appliance is sitting on a level surface.

Although this heater complies with safety standards, we do not recommend its use on deep pile carpets or on long hair type of rugs.

Please note: Used in an environment where background noise is very low, it may be possible to hear a sound which is related to the operation of the flame effect. This is normal and should not be a cause for concern.

If this product experiences a power surge for whatever reason the product may cut-out. This is a normal safety feature and the product will resume operation after 30 seconds.

Once installed, never move this appliance or lay on its back, without draining the water from sump and water tank.

If you intend not using the appliance for longer than 2 weeks, drain the water from sump and water tank and dry the sump.

The water tank, sump, sump lid, tank cap and air filters must be cleaned once every two weeks, particularly in hard water areas.

The appliance should never be operated if the lamps are not working.

The lamps should be regularly inspected as described under 'Maintenance' and 'Changing lamps'.

## Installation Instructions

This section describes how to set up your fire.

### BEFORE YOU START

1. Ensure that all packing items are removed (read any warning labels carefully) and retain all packing for possible future use e.g. in the event of moving house or returning the appliance to your supplier.
2. Before connecting the appliance, check that the supply voltage is the same as that stated on the heater.

#### Connecting the Transducer Unit + Lamps

1. Release the two red tabs by turning them by 90 degrees (Fig 2)
2. Lift out the Sump Nozzle (Fig 3)
3. Insert lamps into lamp holders (Fig 4), carefully locating the pins into the holes (Fig 4a)
4. Push lamps firmly into place
5. Place the Transducer Unit into the sump and join the cable to the connector on the sump (Fig 5)
6. To ensure that the Transducer Unit is correctly placed in the sump, the tab on the Transducer Unit should be lined up with the moulded recess in the sump (Fig 5a).
7. Ensure that the cable is not placed above the disc on the Transducer Unit (Fig 5b). To prevent the cable becoming pinched between the nozzle and the sump, place the cable in the slot in the wall of the sump.
8. Replace the Sump Nozzle and secure it by turning the two red tabs by 90 degrees (Fig 6)

#### Filling the Water Tank

9. Place Water Tank in sink and remove cap (turn anti-clockwise to open) (Fig 7)
10. Fill Water Tank with **filtered tap water only**. This is necessary to prolong the life of the flame and smoke producing unit. The water should be filtered through a conventional domestic water filter unit and the filter should be replaced regularly. Distilled water must **not** be used.
11. Screw the cap back on – **do not overtighten**.
12. Place the Water Tank in the Sump, with the tank cap facing down and the flat side of the tank facing outward (Fig 8)

#### Assembling the fire

13. Place the Fuelbed on top of the Water Tank and Mist Nozzle (Fig 9)

## Operating the Fire


This section describes how to activate your fire using either the manual controls or remote control.


### MANUAL CONTROLS


The manual controls are located beneath the hinged flap. (Fig.10 for Manual Control lay out)


Switch 'A':- Controls the electricity supply to the Fire.

Note: This switch must be in the 'ON' ( I ) position for the Fire to operate either with or without heat.

Switch 'B':- Press  once to turn on the flame effect. This will be indicated by an audible beep. Although the main lights operate immediately it will take a further 30 seconds before the flame effect starts.

Press  again to give flame effect and half heat. This will be indicated by two beeps.

Press  again to give flame effect and full heat. This will be indicated by three beeps.

Press  again to return to flame effect only. This will be indicated by one beep.

Press  to put fire in to standby mode. This will be indicated by one beep.

Control Knob 'C':- Controls the Thermostat setting.

Turning the control knob to the left will decrease the temperature setting, turning the control knob to the right will increase the temperature setting.

Control Knob 'D':- Controls the intensity of the flame effect.

Turning the control knob to the left increases the flame effect, turning the control knob to the right will decrease the flame effect.

### SETTING THE THERMOSTAT

Ensure the fire is plugged in and switch it on to the full heat setting. Turn the Control Knob 'C' fully to the right (max temperature setting) to warm the room rapidly. When the room temperature has reached the desired level, turn the thermostat knob back slowly until you hear the thermostat just click off. The heater will then maintain the room temperature at the chosen level.



Note: Should your heater fail to come on when the thermostat is at a low setting, this may be due to the room temperature being higher than the thermostat setting

### THERMAL SAFETY CUT-OUT

A thermal safety cut-out is incorporated in the fan heater to prevent damage due to overheating. This can happen if the heat outlet was restricted in any way. If the cut-out operates, unplug the heater from the socket outlet and allow approximately 10 minutes before reconnecting. Before switching the heater back on remove any obstruction that may be restricting the heat outlet, then continue normal operation.


**Caution:** In order to avoid a hazard due to inadvertent resetting of the thermal cutout, this appliance must not be supplied through an external switching device, such as a timer, or connected to a switch that is regularly switched on and off by the utility.



### GETTING THE DESIRED FLAME EFFECT

1. The flame control knob 'D' (Fig.10) may be turned up or down to give a more realistic effect.
2. Generally the flames appear more realistic when the flame control is turned down.
3. Give the flame generator time to react to changes you may make.
4. The fire will use less water if the flame effect is set to a lower level.
5. Do not tilt or move the fire while there is water in the tank or sump.
6. Make sure that the fire is on a level floor.

### REMOTE CONTROL OPERATION

On the control panel, Switch A (Fig.10) must be in the 'ON' ( I ) position in order for the remote control to operate. There are 3 buttons on the remote control. (Fig.12) To operate correctly the remote must be pointed towards the front of the grate. (Fig 17). The remote control functions are as follows:

 Press once to turn on Flame effect only.  
This will be indicated by one beep.

 Press once to turn on Half Heat and Flame Effect.  
This will be indicated by two beeps.  
 Press again to turn on Full Heat and Flame Effect.  
This will be indicated by three beeps.

 Standby  
This will be indicated by one beep.

## Maintenance

### GENERAL TIPS

Only use filtered tap water in this appliance.

Always ensure that the appliance is sitting on a level surface.

If you intend not using the appliance for longer than 2 weeks, remove and empty the sump and water tank.

Once installed, never move this appliance or lay on its back, without draining the water from sump and water tank.

The appliance should never be operated if the lamps are not working.

The lamps should be regularly inspected as described under 'Changing lamps'.

### FILLING THE WATER TANK

When the water tank is empty, the flame and smoke effect shuts off and you will hear 2 audible beeps, follow these steps.

1. Press Switch 'A' to **(0)** (Fig.10)
2. Gently lift out the fuelbed and carefully set aside.
3. Remove the water tank by lifting upwards and outwards.
4. Place the water tank in sink and remove cap, Anti-clockwise to open. (Fig 7)
5. Fill tank with **filtered tap water only**. This is necessary to prolong the life of the flame and smoke producing unit. The water should be filtered through a conventional domestic water filter unit and the filter should be replaced regularly.
6. Screw the cap back on, do not over tighten.
7. Return the tank to the sump, with the tank cap facing down and the flat side of the tank facing outward. (Fig 8)
8. Gently place the fuelbed back into position. (Fig 9)
9. Press Switch 'A' to 'ON' ( I ) position (Fig.10)

### CHANGING LAMPS

If the flame and smoke effect appears grey or colourless it may be that one or more lamps have failed.

You can check for lamp failure as follows.

1. Leaving the flame effect on, lift out the fuelbed and water tank.
2. It should be possible to view the lamps with the nozzle in place and observe which one needs to be changed.
3. Put Switch 'A' in the 'OFF' position, and unplug the fire from the mains.
4. Leave the appliance for 20 minutes to allow the lamps to cool down before removing them.
5. Remove the sump as described in the Cleaning Section.
6. Remove the defective lamp, by gently lifting vertically and disengaging the pins from the lamp holder, (Fig.4 and 4a).  
Replace with an OPTIMYST, 12V, 45W, Gu5.3 base, 8° beam angle, coloured lamp. (Purchased from our your supplier)
7. Carefully insert the two pins of the new lamp into the two holes in the lamp holder. Push firmly in place. (Fig.4 and 4a).
8. Replace the sump, nozzle, water tank and fuelbed.

## **CLEANING**

**Warning** – Always press Switch 'A' to the 'OFF' (0) position (Fig.10) and disconnect from the power supply before cleaning the fire.

We recommend cleaning the following components once every 2 weeks, particularly in hard water areas:-  
Water Tank, Sump, Nozzle, Tank cap and seal, Air filter.

For general cleaning use a soft clean duster – never use abrasive cleaners.

To remove any accumulation of dust or fluff the soft brush attachment of a vacuum cleaner should occasionally be used to clean the outlet grille of the fan heater.

### **Water tank**

1. Remove water tank, as described earlier, put into sink and empty water.
2. Using the supplied brush gently rub the inside surfaces of the cap paying particular attention to the rubber ring in the outer groove and the centre rubber seal.
3. Put a small quantity of washing up liquid into the tank, refit the cap and shake well, rinse out until all traces of washing up liquid are gone.
4. Refill with filtered tap water only, replace the cap, do not overtighten.

### **Sump**

1. Press Switch 'A' to the 'OFF' (0) position
2. Gently lift out the fuelbed and place carefully on the ground.
3. Remove the water tank by lifting upwards.
4. Disconnect the electrical connector, located on the right side of the sump. (Fig.5) .
5. Release the right sump locking tabs by turning 90°. This allows the sump to be lifted completely from its location. (Fig. 11)
6. Gently lift up the sump, taking care to keep level so as not to spill any water. Sit the assembly in the sink.
7. Release the left sump locking tabs by turning 90°, then lift off the Nozzle. (Fig.3)
8. Lift out the transducer and carefully tilt, as shown, so that the liquid drains out of the sump. (Fig.13)
9. Put a small amount of washing up liquid into the sump, and using the supplied brush, gently clean all surfaces in the sump and gently clean the transducer including the metal discs located in the top grooved surface. (Fig.14)
10. When cleaned, thoroughly rinse the sump with clean water to remove all traces of washing up liquid.
11. Clean the Nozzle with the brush and flush out thoroughly with water. (Fig.15)
12. Reverse the above steps to reassemble.

### **Air filter**

1. Gently lift out the fuelbed and place carefully on the ground.
2. Gently slide the air filter upwards out of its plastic holder. (Fig.16)
3. Gently rinse with water in the sink and dry with fabric towel before returning.
4. Replace the filter making sure that the coarse black filter is facing the front of the fire.
5. Replace the fuelbed.

## Additional Information

### AFTER SALES SERVICE

Your product is guaranteed for two years from the date of purchase. Within this period, we undertake to repair or exchange this product free of charge (excluding lamps & subject to availability) provided it has been installed and operated in accordance with these instructions. Your rights under this guarantee are additional to your statutory rights, which in turn are not affected by this guarantee.

### RECYCLING



For electrical products sold within the European Community - At the end of the electrical products useful life it not be disposed of with household waste. Please recycle where facilities exist. Check with your Local Authority or retailer for recycling advice in your country.

### PATENT / PATENT APPLICATION

Products within the Optimyst range are protected by one or more of the following patents and patent applications:

Great Britain GB 2402206, GB 2460259, GB 2460453 , GB 2418014, GB 2465738, GB 2449925, GB 2465537 , GB 2455277 , GB1020534.2, GB1020537.5, GB1110987.3

United States US 7967690, US 2010299980, US 2011062250, US 2008028648, US 13/167,042

Russia RU2008140317

European EP 2029941, EP 2201301, EP 2315976, EP 1787063, EP07723217.1 , EP11170434.2, EP 11170435.9

China CN 101883953, CN 200980128666.2, CN 101057105, CN 101438104

Australia AU 2009248743, AU 2007224634

Canada CA 2725214, CA 2579444, CA 2645939

International Patent Application WO 2006027272

South Africa ZA 200808702

Mexico MX 2008011712

Korea KR 20080113235

Japan JP 2009529649

Brazil BR P10708894-9

India IN 4122/KOLNP/2008

New Zealand NZ 571900

## Troubleshooting

Symptom	Cause	Corrective Action
The flame effect will not start.	<p>Mains plug is not plugged in.</p> <p>Low water level.</p> <p>Low voltage connector not connected properly. (Fig.5)</p> <p>The Transducer Unit is not sitting correctly in the sump</p>	<p>Check plug is connected to wall socket correctly.</p> <p>Check that the water tank is full and there is water in the sump.</p> <p>Check that the connector is inserted correctly. (Fig.5)</p> <p>Ensure the Transducer is sitting down into the moulded recess in the sump</p>
The flame effect is too low.	<p>Flame effect control knob is set too low. (Fig.10)</p> <p>The Metal Disc in the transducer might be dirty (Fig.14)</p> <p>The wire from the Transducer Unit is sitting over the metal disc</p>	<p>Increase level of flame by turning Control knob 'D' to the left slowly. (Fig.10)</p> <p>Clean the Metal Disc with soft brush supplied. (Fig.14) See 'Maintenance.' for a step by step procedure.</p> <p>Direct the wire to the back of the sump and make sure it sits into the side slot exiting the sump.</p>
Unpleasant smell when unit is used.	<p>Dirty or stale water.</p> <p>Using unfiltered tap water.</p>	<p>Clean the unit as described under maintenance.</p> <p>Use only filtered tap water.</p>
The flame effect has too much smoke.	<p>Flame effect setting is too high.</p>	<p>Turn the flame effect Control knob 'D' to the right, about ¼ a turn, at a time. Give the flame generator some time to adjust to the new setting. (Fig.10)</p>
Main lamps are not working and there are no flames or smoke.	<p>There is no water in the water tank</p>	<p>Follow instructions under <b>Maintenance</b>, 'Filling the water tank'.</p> <p>Check the plug is connected to the wall socket correctly and that Switch 'A' Fig. 10 is in the 'ON' ( I ) position.</p>

## Innledning

Vennligst les denne informasjonen nøye for å kunne trygt installere, bruke og vedlikeholde produktet.

### Viktige sikkerhetsråd

Ved bruk av elektrisk utstyr skal det alltid tas grunnleggende forholdsregler for å redusere faren for brann, elektrisk støt og personskade:

#### 1. OVEROPPHETING

**ADVARSEL!** For å unngå overoppheting må ikke ovnen tildekkes. Plasser ikke materialer eller plagg på varmeapparatet. Sørg også for uhindret luftsirkulasjon rundt varmeapparatet. Varmeapparatet har en advarsel som sier "MÅ IKKE TILDEKKES".

#### 2. SKADE.

Er enheten skadet, skal du rådføre deg med leverandøren før installering og bruk.

Hvis strømledningen er skadet, må den skiftes ut av produsenten, servicerepresentanten eller en tilsvarende kvalifisert person for unngå at det oppstår en farlig situasjon.

#### 3. PLASSERING

Skal ikke brukes utendørs.

Skal ikke brukes i nærheten av badekar, dusj eller svømmebasseng.

Enheden skal ikke plasseres rett under en fast stikkontakt eller koplingsboks.

Sørg for at enheten har en avstand på minst 1 meter til møbler, gardiner og annet brennbart materiale.

Selv om dette varmeapparatet er i overensstemmelse med sikkerhetsstandardene, anbefaler vi at det ikke brukes på tykke tepper som loer eller langhårede tepper.

#### 4. PLUGGPASSERING

Apparatet skal plasseres slik at støpselet er tilgjengelig.

Hold strømledningen borte fra forsiden av varmeapparatet.

#### 5. BRUK AV ANDRE KONTROLLER

Enheden skal ikke koples i serie med varmeregulator, programregulator, tidsbryter eller annet utstyr som slår på varmen automatisk, på grunn av brannfaren hvis enheten ved et uhell skulle bli tildekket eller forflyttet.

#### 6. FRAKOBLING

Trekk ut støpselet fra stikkontakten hvis det skulle oppstå feil.

Trekk ut støpselet hvis det ikke skal brukes på en stund.

#### 7. EIER/BRUKER

Dette apparatet er ikke beregnet til bruk av barn eller personer med reduserte fysiske, sensoriske eller mentale evner, eller som mangler erfaring og kunnskap, med mindre de gis tilsyn eller instruks om bruk av apparatet av en person som er ansvarlig for sikkerheten deres. Barn bør overvåkes for å sikre at de ikke leker med apparatet.

#### 8. ELEKTRISITET

**ADVARSEL – DETTE APPARATET SKAL JORDES.**

Varmeovnen skal bare brukes med nettstrøm, og nettspenningen skal stemme overens med den som er angitt på ovnen. Les sikkerhetsinformasjonen og anvisningene for bruk før apparatet slås på.

## Generell informasjon

Du må bare bruke filtrert vann i dette apparatet.

Alltid sørg for at apparatet er satt på en jevn overflate.

Selv om dette varmeapparatet er i overensstemmelse med sikkerhetsstandardene, anbefaler vi at det ikke brukes på tykke tepper som loer eller langhårede tepper.

**Merk:** Hvis det er svært lite bakgrunnsstøy i rommet der varmeapparatet brukes, kan det være mulig å høre viften som styrer flammeeffekten. Dette er normalt, og gir ingen grunn til bekymring.

Hvis dette produktet opplever en overspenning uansett grunn kan produktet slutte å fungere. Dette er en normal sikkerhetsfunksjon og produktet vil gjenoppta driften etter 30 sekunder.

Når produktet er montert, må du aldri flytte apparatet eller legget det på ryggen uten at du først tømmer ut vannet fra bunnen og vanntanken.

Hvis du har tenkt å ikke bruke apparatet i mer enn 2 uker, må vannet dreneres fra sumpen og vanntanken og tørke bunnen.

Vanntanken, bunnen, lokket på bunnen, lokket på tanken og luffiltre må rengjøres hver fjortende dag, spesielt i områder med hardt vann.

Apparatet bør aldri brukes hvis ikke lampene fungerer.

Lampene skal regelmessig kontrolleres som beskrevet under "Vedlikehold" og "Endre lamper".

## Anvisninger for installering

Denne delen beskriver hvordan du setter opp din peisinnsett.

### FØR DU STARTER

1. Sørg for at alle emballasjegenstander er fjernet (les alle advarsler nøye) og behold all emballasje for eventuell fremtidig bruk for eksempel til flytting eller retur av apparatet til leverandøren.
2. Før apparatet kobles til, skal du kontrollere at nettspenningen stemmer overens med den som er angitt på varmeapparatet.

#### Koble svingerenheten + lamper

1. Slipp de to røde fanene ved å vri dem med 90 grader (fig 2).
2. Løft ut bunnmunnstykket (fig. 3).
3. Sett inn lamper i lampeholdere (fig. 4), og finn pinnene inn i hullene (fig. 4a).
4. Skyv lampene godt på plass.
5. Legg svingerenheten i bunnen og fest kabelen til kontakten på bunnen (fig 5).
6. For å sikre at svingerenheten er riktig plassert i bunnen, skal fanen på svingerenheten settes opp med den støpte fordypningen i bunnen (fig. 5a).
7. Sørg for at kabelen ikke er plassert over platen på svingerenheten (fig. 5b). For å hindre at kabelen blir klemt mellom munnstykket og bunnen, legg kabelen i sporet i siden på bunnen.
8. Bytt bunnmunnstykket og fest den ved å dreie de to røde fanene ved 90 grader (fig 6).

#### Fylle på vanntanken

9. Legg vanntanken i en utslagsvask og ta av hetten (skru den mot urviseren for å åpne den) (fig. 7).
10. Fyll tanken med **avkalket vann**. Dette er nødvendig for at enheten som produserer flammer og røyk skal vare lenger. Vannet bør være filtrert gjennom et vanlig vannfilter til hjemmebruk, og filteret bør byttes ut jevnlig. Destillert vann må **ikke** brukes.
11. Skru på hetten igjen, **stram ikke for mye**.
12. Sett vanntanken tilbake i bunnen slik at hetten på tanken peker ned og den flate siden av tanken peker utover (fig. 8).

#### Montering av peisen

13. Sett Fuelbed på toppen av vanntanken og munnstykket (fig. 9).

## Bruk av peisen


Denne delen beskriver hvordan du aktiverer peisen ved hjelp av enten de manuelle kontrollene eller fjernkontrollen.

### MANUELLE KONTROLLER

De manuelle kontrollene er plassert under hengslet. (Fig. 10 vis du vil ha informasjon om hvordan de manuelle kontrollene er plassert).

Bryter "A" – kontrollerer strømtilførselen til peisinnsett.

Merk: Denne bryteren må være i "ON" ( I )-posisjon for at peisinnsett skal fungere med eller uten varme.

Bryter "B": - Trykk  en gang for å slå på flammeeffekten. Dette indikeres av et hørbart pip. Selv om strømlampen aktiveres umiddelbart, tar det ytterligere 30 sekunder før flammeeffekten starter.

Trykk  på nytt for å aktivere flammeeffekten og halv varme. Dette indikeres av to pip.

Trykk  på nytt for å aktivere flammeeffekten og full varme. Dette indikeres av tre pip.

Trykk  på nytt for å gå tilbake til bare flammeeffekt. Dette indikeres av ett pip.

Trykk  for å sette peisinnsett i hvilemodus. Dette indikeres av ett pip.

Kontrollknott "C" – Styrer termostatinnstillingen.

Vri kontrollbryteren til venstre for å redusere temperaturinnstillingen, vri kontrollbryteren til høyre for å øke temperaturinnstillingen.

Kontrollbryter "D": - styrer intensiteten av flammeeffekten.

Vri kontrollbryteren til venstre for å øke flammeeffekten, vri kontrollbryteren til høyre for å redusere flammeeffekten.

### STILLE INN TERMOSTATEN

Sørg for at peisinnsett er koblet til og slå den på full varmeinnstilling. Vri kontrollbryteren til "C" helt til høyre (maks. temperaturinnstilling) hvis du vil varme opp rommet raskt. Når romtemperaturen har nådd ønsket nivå, vris termostatknappen sakte tilbake inntil det høres et klikk og termostaten kobler ut. Varmeapparatet vil nå holde romtemperaturen på innstilt nivå.

Merk: Skulle varmeapparatet ikke slå seg på når termostaten er stilt lavt, kan det være fordi romtemperaturen er høyere enn termostatens innstilling.

## UTKOBLING VED OVEROPPHETING


En utkoblingsfunksjon for overoppheting er innebygd i varmeapparatet for å hindre skader på grunn av overoppheting. Dette kan skje hvis varmeutgangen ble hindret på en eller annen måte. Hvis utkoblingsfunksjonen er aktiv, må du koble varmeapparatet fra veggkontakten og vente i omtrent 10 minutter før du kobler den til igjen. Før du skrur på varmeapparatet på nytt, må du fjerne alle hindringer som kan hindre varmeavledningen og deretter fortsette vanlig bruk. **Forsiktig:** For å unngå farlige situasjoner som følge av utilsiktet nullstilling av utkoblingsfunksjonen for overoppheting, er det viktig at denne enheten ikke tilføres strøm gjennom en ekstern bryterenheter, for eksempel en tidsbryter, eller koples til en bryter som regelmessig slås av og på av elektrisitetsverket.



## FÅ ØNSKET FLAMMEEFFEKT

1. Flammekontrollbryteren "D" (fig. 10) kan skrues opp eller ned for å gi en mer realistisk effekt.
2. Vanligvis virker flammene mer realistiske når flammekontrollen er skrudd ned.
3. Gi flammegeneratoren litt tid til å reagere på endringene du gjør.
4. Brannen vil bruke mindre vann hvis flammeeffekten er satt til et lavere nivå.
5. Du må ikke bikke eller flytte peisinnssatsen når det er vann i tanken eller i bunnen.
6. Påse at peisen plasseres på et flatt underlag.

## BRUK MED FJERNKONTROLL

På kontrollpanelet, må bryter A (fig.10) være i "PÅ" (I)-posisjon for å bruke fjernkontrollen. Det er tre knapper på fjernkontrollen (fig.12). Fjernkontrollen må peke mot forsiden av risten for at den skal brukes riktig (fig. 17). Fjernkontrollen fungerer på følgende måte:

 Trykk på nytt for å gå tilbake til bare flammeeffekt.  
Dette indikeres av ett pip.

 Trykk på nytt for å skru på halv varme og flammeeffekt.  
Dette indikeres av to pip.  
 Trykk på nytt for å skru på full varme og flammeeffekt.  
Dette indikeres av tre pip.

 Standby  
Dette indikeres av ett pip.

## Vedlikehold

### GENERELLE RÅD

Du må bare bruke avkalket springvann i dette apparatet. Alltid sørg for at apparatet er satt på en jevn overflate. Hvis du har tenkt å ikke bruke apparatet i mer enn 2 uker, må vannet dreneres fra bunnen og vanntanken. Når produktet er montert, må du aldri flytte apparatet eller legget det på ryggen uten at du først tømmer ut vannet fra bunnen og vanntanken. Apparatet bør aldri brukes hvis ikke lampene fungerer. Lampene skal regelmessig kontrolleres som beskrevet under "Endre lamper".

### FYLLE PÅ VANNTANKEN

Når vanntanken er tom, skrues flamme- og røykeffekten av, og du vil høre to "pip". Følg disse trinnene.

1. Sett bryter "A" til **(0)** (fig. 10).
2. Løft forsiktig ut brenselsbedet, og legg det til side.
3. Ta ut vanntanken ved å løfte den opp og ut.
4. Legg vanntanken i en utslagsvask og ta av hetten, skru den mot urviseren for å åpne den (fig. 7).
5. Fyll tanken med **avkalket vann**. Dette er nødvendig for at enheten som produserer flammer og røyk skal vare lenger.

Vannet bør være filtrert gjennom et vanlig vannfilter til hjemmebruk, og filteret bør byttes ut jevnlig.

6. Skru lokket på igjen, og ikke stram til for hardt.
7. Sett tanken tilbake i bunnen slik at hetten på tanken peker ned og den flate siden av tanken peker utover (fig. 8).
8. Sett brenselsbedet forsiktig tilbake i posisjon (fig. 9).
9. Sett bryter "A" til "ON" (**I**) posisjon (fig.10).

### BYTTE PÆRER

Hvis flammen eller mye røyk ser grå eller fargeløs ut, kan det hende at én eller flere pærer har gått.

Du kan sjekke om pærer har gått på følgende måte.

1. Mens du lar flammeeffekten være på, løfter du ut brenselsbedet og vanntanken.
2. Det bør være mulig å se lampene med munnstykket på plass og observere hvilken som må endres.
3. Sett bryteren "A" i "AV"-posisjon og koble peisinnssatsen fra nettstrømmen.
4. La apparatet være avslått i 20 minutter slik at pærene kan kjøle seg ned før du tar dem ut.

5. Ta av bunnen slik det er beskrevet i avsnittet Renhold.
6. Ta ut den ødelagte pæren ved å løfte den forsiktig ut rett opp og koble pinnene fra sokkelen (fig. 4 og 4a). Bytt ut med en farget pære av typen OPTIMYST, 12 V, 45 W, Gu5.3-base med 8° lysvinkel. (Kjøpt fra vår leverandør).
7. Sett forsiktig de to pinnene på den nye pæren inn i de to hullene på lampesokkelen. Skyv godt på plass (fig. 4 og 4a).
8. Sett tilbake bunnen, dysen, vanntanken og brennelsbedet.

## RENGJØRING

**Advarsel** – Alltid sett bryter "A" i "OFF" (0) posisjon (fig. 10) og koble fra strømmen før rengjøring av peisinnstansen.

Vi anbefaler at du rengjør de følgende delene én gang hver fjortende dag, spesielt i området med hardt vann – vanntank, bunn, dyse, tankhette og -forsegling, luftfilter.

Bruk en myk, ren støvklut til vanlig rengjøring. Bruk aldri rengjøringsmidler med slipeeffekt.

Støv og lo som har samlet seg på avtrekksgitteret til varmeviften, kan fjernes ved hjelp av den myke børsten på støvsugeren.

### Vanntanken

1. Ta ut vanntanken slik det ble beskrevet tidligere, legg den i en utslagsvask og tøm den for vann.
2. Bruk den medfølgende børsten til forsiktig å gni på innsiden av hetten, og vær spesielt omhyggelig med gummiringen i det ytre sporet og gummiforseglingen i midten.
3. Legg litt oppvaskmiddel og vann i tanken, sett på hetten og rist godt. Skyll godt slik at du får ut alt oppvaskmiddelet.
4. Fyll opp med filtrert springvann, sett tilbake hetten, men pass på at du ikke overstrammer.

### Bunn

1. Sett bryter "A" i "OFF"- (0) posisjon
2. Løft forsiktig ut brennelsbedet, og legg det på bakken.
3. Ta ut vanntanken ved å løfte den opp.
4. Koble fra den elektriske kontakten som du finner på høyre side av bunnen (fig. 5).
5. Slipp låsetappene på høyre bunn ved å dreie den 90°. Dette gjør at bunnen kan løftes fullstendig fra plasseringen (fig. 11).
6. Løft forsiktig opp bunnen, og pass på at du holder den i vater slik at du ikke søler ut noe vann. Legg bunnen i en utslagsvask.
7. Frigjør de venstre låsetappene på bunnen ved å vri dem 90°, deretter løfter du av dysen (fig. 3).
8. Ta ut omformeren og vri bunnen forsiktig slik som vist, slik at væsken renner ut av bunnen (fig. 13).
9. Hell litt oppvaskmiddel i bunnen og bruk den medfølgende børsten til forsiktig å rengjøre alle overflater i bunnen. Rengjør omformeren forsiktig, inkludert metallplatene du finner i uthulingen på toppen (fig. 14).
10. Skyll bunnen med rent vann for å fjerne alle spor av oppvaskmiddel når den er rengjort.
11. Rens dysen med børsten og skyll grundig med vann (fig. 15).
12. Gjenta trinnene ovenfor i motsatt rekkefølge for å montere på nytt.

### Luftfilter

1. Løft forsiktig ut brennelsbedet, og legg det på bakken.
2. Skyv luftfilteret forsiktig opp og ut av plastholderen (fig. 16).
3. Skyll forsiktig med vann i utslagsvasken og tørk med et kjøkkenhåndkle før du setter den på plass igjen.
4. Sett tilbake filteret og kontroller at det grove, svarte filteret er rettet inn mot forsiden av peisinnstansen.
5. Sett tilbake brennelsbedet.

## Tilleggsinformasjon

### KUNDESERVICE

Enheten har garantidekning i to år etter kjøpsdato. Innenfor denne perioden vil vi kostnadsfritt utføre reparasjon på eller skifte ut enheten (med unntak av lamper, og avhengig av tilgjengelighet) så sant den har blitt installert og brukt i samsvar med disse anvisningene. Rettighetene dine under denne garantien kommer i tillegg til dine lovbestemte rettigheter. Denne garantien påvirker ikke de lovbestemte rettighetene.

### RESIRKULERING



For elektriske produkter som selges innenfor EU - På slutten av de elektriske produktenes levetid kastes det ikke sammen med husholdningsavfallet. Send dem til resirkuleringsanlegg der slike finnes. Hør med den lokale forhandleren hvis du vil ha informasjon om resirkulering i landet ditt.



## PATENT/PATENTSØKNAD

Produkter i Optimyst-produktlinjen er beskyttet av én eller flere av følgende patenter og patentsøknader:

Storbritannia GB 2402206, GB 2460259, GB 2460453, GB 2418014, GB 2465738, GB 2449925, GB 2465537, GB 2455277, GB1020534.2, GB1020537.5, GB1110987.3

USA US 7967690, US 2010299980, US 2011062250, US 2008028648, US 13/167,042

Russland RU2008140317

Europeiske EP 2029941, EP 2201301, EP 2315976, EP 1787063, EP07723217.1 , EP11170434.2, EP 11170435.9

Kina CN 101883953, CN 200980128666.2, CN 101057105, CN 101438104

Australia AU 2009248743, AU 2007224634

Canada CA 2725214, CA 2579444, CA 2645939

Internasjonal patentsøknad WO 2006027272

Sør-Afrika ZA 200808702

Mexico MX 2008011712

Korea KR 20080113235

Japan JP 2009529649

Brasil BR P10708894-9

India IN 4122/KOLNP/2008

New Zealand NZ 571900

## Feilsøking

Symptom	Årsak	Korrigerende tiltak
Flammeeffekten starter ikke.	Strømledningen er ikke koblet til.  Lavt vannivå.  Lavspenningskontakten er ikke riktig tilkoblet (fig. 5).  Omformerenheten er ikke riktig koblet til bunnen.	Kontroller at støpselet er riktig koblet til veggkontakten.  Kontroller at vanntanken er full og at det er vann i bunnen.  Kontroller at kontakten er riktig satt i (fig. 5).  Kontroller at omformeren sitter god fast i den støpte uthulingen i bunnen.
Flammeeffekten er for lav.	Kontrollknotten til flammeeffekten er stilt inn for lavt (fig. 10).  Metallplaten i omformeren kan være skitten (se fig.14).  Kabelen fra omformerenheten er plassert over metallplaten.	Øk flammenivået ved å vri kontrollknotten "D" langsomt til venstre (fig. 10).  Rengjør metallplaten med den medfølgende myke børsten (se fig.14). Les "Vedlikehold" hvis du vil lese en trinnvis fremgangsmåte.  Rett kabelen mot bakside av bunnen, og kontroller at den er festet inn i sidesporet som kommer ut av bunnen.
Ubehagelig lukt når enheten brukes.	Skittent eller gammelt vann.  Bruke ufiltrert springvann.	Rengjør enheten slik det er beskrevet under vedlikehold.  Du må bare bruke filtrert springvann.
Flammeeffekten har for mye røyk.	Innstillingen til flammeeffekten er satt for høyt.	Skru kontrollknotten for flammeeffekt, "D", omtrent en kvart omdreining av gangen med klokken. La flammegeneratoren få litt tid til å justere seg til den nye innstillingen (fig. 10).
Strømlampen fungerer ikke, og det er ingen flamme eller røyk.	Det er tomt for vann i tanken.	Følg instruksjonene under <b>Vedlikehold</b> , "Fylle vanntanken".  Kontroller at kontakten er riktig koblet til vegguttaket og at bryter "A" fig. 10 står "PÅ" (I)-posisjon.

## Inledning

Läs igenom denna bruksanvisning noga så att du kan installera, använda och underhålla produkten på ett säkert sätt.

## Säkerhetsföreskrifter

När du använder elektriska apparater måste alltid grundläggande försiktighetsåtgärder vidtas för att minska risken för eldsvåda, elstötar och personskador. Dessa åtgärder omfattar följande:

### 1. ÖVERHETTNING

WARNING! För att undvika överhettning får värmekaminen inte täckas över. Placera inga material eller plagg på värmekaminen och se till att luften cirkulerar fritt runt den. På värmekaminen sitter en varningsdekal, DO NOT COVER (Får ej täckas över).

### 2. SKADA

Kontakta leverantören före installation och användning om apparaten är skadad.

Om elsladden är skadad måste den bytas ut av tillverkaren, en servicetekniker eller en person med liknande kvalifikationer för att undvika fara.

### 3. PLACERING

Använd inte utomhus.

Använd inte i omedelbar närhet av badkar, dusch eller swimmingpool.

Placera inte värmekaminen omedelbart under ett fast vägguttag eller en kopplingsdosa.

Kontrollera att möbler, gardiner och annat brännbart material är på minst en meters avstånd från värmekaminen.

Även om denna värmekamin uppfyller tillämpliga säkerhetsstandarder bör den inte användas på tjocka heltäckningsmattor eller långhåriga mattor.

### 4. PLACERING AV KONTAKT

Apparaten måste placeras så att kontakten är åtkomlig.

Håll nätsladden borta från värmekaminens framsida.

### 5. ANVÄNDNING AV ANDRA KONTROLLER

Använd inte värmekaminen seriekopplad med en termostat, programstyrenhet, timer eller en annan enhet som automatiskt slår på värmen eftersom det finns en risk för eldsvåda om värmekaminen oavsiktligt täckts över eller flyttats.

### 6. URKOPPLING

Koppla ur apparaten om fel uppstår.

Koppla ur apparaten när den inte ska användas under en längre tid.

### 7. ÄGARE/ANVÄNDARE

Produkten är inte avsedd att användas av personer (inklusive barn) med nedsatt fysisk, sensorisk eller mental förmåga eller saknar erfarenhet eller kunskap om dess användning, såvida de inte har fått instruktioner avseende användning (eller användning sker under överinseende) av någon som ansvarar för deras säkerhet. Barn bör övervakas för att se till att de inte leker med apparaten.

### 8. ELEKTRICITET

WARNING! APPARATEN MÅSTE JORDAS.

Denna värmekamin får endast användas med växelström. Nätspänningen måste överensstämma med värmekaminens märkspänning.

Läs säkerhetsföreskrifter och bruksanvisning innan du slår på apparaten.

## Allmän information

Använd endast filtrerat vatten i apparaten.

Se alltid till att apparaten är placerad på en plan golvyta.

Även om denna värmekamin uppfyller tillämpliga säkerhetsstandarder bör den inte användas på tjocka heltäckningsmattor eller långhåriga mattor.

Obs! Om apparaten används i en miljö med mycket låg ljudnivå kan ljud från den konstgjorda elden höras. Detta är normalt och inget att oroa sig för.

Om apparaten utsätts för ett spänningssprång kan det hända att den stängs av. Detta är en normal säkerhetsfunktion och normal drift återupptas efter 30 sekunder.

När värmekaminen är installerad får den inte flyttas eller placeras på sidan innan tråget och vattentanken har tömts på vatten. Om du inte tänker använda apparaten under mer än två veckor, avlägsna vattnet från tråget och vattentanken och torka tråget.

Vattentanken, tråget, trågets lock, tankens lock och luftfiltren måste rengöras varannan vecka, i synnerhet om apparaten används i regioner/områden med hårt vatten.

Apparaten får aldrig användas om lamporna inte fungerar.

Lamporna bör kontrolleras med jämna mellanrum enligt anvisningarna i avsnitten "Underhåll" och "Lampbyte".

## Installationsanvisningar

I det här avsnittet beskrivs hur du installerar värmekaminen.

### INNAN DU BÖRJAR

1. Se till att allt förpackningsmaterial har avlägsnats (läs alla varningsdekaler noga) och spara emballaget för framtida bruk, t.ex. om du flyttar eller behöver lämna tillbaka apparaten till återförsäljaren.
2. Kontrollera att nätspänningen är densamma som värmekaminens märkspänning innan du kopplar in den.

#### Anslutning av omvandlarenheten och lamporna

1. Frigör de två röda flikarna genom att vrida dem 90 grader (se fig. 2).
2. Lyft ut trågets munstycke (se fig. 3).
3. Sätt i lamporna i lamphållarna (se fig. 4) och passa försiktigt in stiften i hålen (se fig. 4a).
4. Tryck lamporna på plats med fast hand.
5. Placera omvandlarenheten i tråget och anslut kabeln till kontakten på tråget (se fig. 5).
6. Kontrollera att omvandlarenheten är rätt placerad i tråget genom att se till att fliken på omvandlarenheten är inriktad mot fördjupningen i tråget (se fig. 5a).
7. Se till att kabeln inte löper över skivan på omvandlarenheten (se fig. 5b). Förhindra att kabeln kommer i kläm mellan munstycket och tråget genom att dra kabeln i skåran i väggen på tråget.
8. Sätt tillbaka trågets munstycke och säkra det genom att vrida de två röda flikarna 90 grader (se fig. 6).

#### Påfyllning av vattentanken

9. Placera vattentanken i vasken och ta bort locket genom att öppna det motsols (se fig. 7).
10. Fyll tanken med **enbart filterat kranvatten**. Detta för att förlänga livslängden på den enhet som ger den konstgjorda elden och röken. Vattnet ska filtreras genom ett vanligt vattenfilter för hushållsbruk och filtret bytas med jämna mellanrum. Destillerat vatten får **inte** användas.
11. Skruva på locket igen, **utan att dra åt det för hårt**.
12. Sätt tillbaka tanken i tråget med tankens lock vänt nedåt och den plana sidan på tanken vänd utåt (se fig. 8).

#### Montering av elementet

13. Placera bränslebädden ovanpå vattentanken och immunstycket (se fig. 9).

## Användning av värmekaminen


I det här avsnittet beskrivs hur du slår på värmekaminen med hjälp av antingen manuella kontroller eller fjärrkontrollen.

### MANUELLA KONTROLLER


De manuella kontrollerna sitter bakom den gångjärnsförsedda luckan (se fig. 10 för layouten för de manuella kontrollerna).

Knapp A – Reglerar spänningen till värmekaminen.

Obs! Den här strömbrytaren måste vara i läge PÅ (I) för att kaminen ska fungera med eller utan värme.

Knapp B – Tryck på  en gång för att tända den konstgjorda elden. Ett pip hörs. Även om huvudlamporna tänds med en gång tar det ytterligare 30 sekunder innan elden tänds.

Tryck på  igen för att tända den konstgjorda elden och få halv värme. Två pip hörs.

Tryck på  igen för att tända den konstgjorda elden och få full värme. Tre pip hörs.

Tryck på  igen för att återgå till enbart den konstgjorda elden. Ett pip hörs.

Tryck på  för att elden ska sättas i standby-läge. Ett pip hörs.

Kontrollratt C – Styr termostatsens inställningar.

Om du vrider kontrollratten åt vänster sänks temperaturinställningen, om du vrider den åt höger höjs temperaturinställningen.

Kontrollratt D – Reglerar den konstgjorda eldens styrka.

Om kontrollratten vrids åt vänster ökar effekten och om den vrids åt höger minskar effekten.

### STÄLLA IN TERMOSTATEN

Se till att värmekaminen är inkopplad. Slå på den och ställ in den på full värme. Vrid kontrollratt C hela vägen åt höger (max temperaturinställning) för att värma upp rummet snabbt. När rummet har nått önskad temperatur, vrid långsamt tillbaka termostatsens kontrollratt, precis tills det hörs ett klick (termostaten slås av). Värmekaminen håller därefter rumstemperaturen på önskad nivå.

Obs! Om värmen inte slås på när termostaten är lågt inställd kan det bero på att rumstemperaturen är högre än termostatinställningen.

## VÄRMESÄKRING

Värmefläkten har en inbyggd värmesäkring för att förhindra skador på grund av överhettning. Detta kan inträffa om värmeutloppet blockeras på något sätt. Om värmesäkringen löses ut, dra ut kontakten ur vägguttaget och låt den stå i cirka 10 minuter innan du sätter i kontakten igen. Innan du slår på värmekaminen igen (och återupptar normal användning) måste du ta bort eventuella hinder från värmeutloppet.

**Var försiktig!** För att undvika olyckor på grund av oavsiktlig återställning av värmesäkringen får denna utrustning inte anslutas via en extern kopplingsanordning, t.ex. en timer, eller till en kontakt som regelbundet slås på och av genom anordningen.

## STÄLLA IN ÖNSKAD FLAMEFFEKT PÅ ELDEN

1. Den konstgjorda eldens kontrollratt D (fig. 10) kan skruvas upp eller ner för en mer realistisk effekt.
2. I allmänhet ser den konstgjorda elden mer verklighetstrogen ut om flameeffekten är lågt inställd.
3. Det tar en liten stund för flammgeneratorn att reagera på de ändringar som görs med kontrollratten.
4. Värmekaminen förbrukar mindre vatten om flameeffekten är lågt inställd.
5. Luta inte och flytta inte på värmekaminen när det finns vatten i tanken eller i tråget.
6. Se till att värmekaminen står på en plan yta.

## ANVÄNDNING AV FJÄRRKONTROLLEN

På kontrollpanelen måste knapp A (se fig. 10) vara i läge PÅ (I) för att fjärrkontrollen ska fungera.

Det finns 3 knappar på fjärrkontrollen (se fig. 12). För att fjärrkontrollen ska fungera ordentligt måste den riktas mot gallet (se fig. 17). Fjärrkontrollen har följande funktioner:



Tryck en gång för att endast sätta på den konstgjorda elden.  
Ett pip hörs.



Tryck en gång för att sätta på halv värme och flameeffekt.  
Två pip hörs.

Tryck en gång till för att sätta på full värme och flameeffekt.  
Tre pip hörs.



Standby-läge  
Ett pip hörs.

## Underhåll

### ALLMÄNNA TIPS

Använd endast filtrerat kranvatten.

Se alltid till att apparaten är placerad på en plan golvyta.

Om apparaten inte kommer att användas på minst två veckor bör du tömma tråget och vattentanken på vatten.

När värmekaminen är installerad får den inte flyttas eller placeras på sidan innan tråget och vattentanken har tömts på vatten.

Apparaten får aldrig användas om lamporna inte fungerar.

Lamporna bör kontrolleras med jämna mellanrum enligt anvisningarna i avsnittet "Lampbyte".

### PÅFYLLNING AV VATTENTANKEN

När vattentanken är tom stängs effekten med lågor och rök av och två pip hörs. Följ därefter nedanstående anvisningar:

1. Ställ om knapp A till läge (0) (se fig. 10).
2. Ta försiktigt ut bränslebädden och ställ undan den.
3. Ta bort vattentanken genom att lyfta den uppåt och utåt.
4. Placera vattentanken i vasken och ta bort locket genom att öppna det motsols (se fig. 7).
5. Fyll tanken med **enbart filtrerat kranvatten**. Detta för att förlänga livslängden på den enhet som ger den konstgjorda elden och röken.

Vattnet ska filtreras genom ett vanligt vattenfilter för hushållsbruk och filtret bytas med jämna mellanrum.

6. Skruva på locket igen, men dra inte åt det för hårt.
7. Sätt tillbaka tanken i tråget med tankens lock vänt nedåt och den plana sidan på tanken vänd utåt (se fig. 8).
8. Sätt försiktigt tillbaka bränslebädden på plats (se fig. 9).
9. Ställ om knapp A till läge PÅ (I) (se fig. 10).

### LAMPBYTE

Om lågen eller röken är grå eller färglös kan det hända att en eller flera lampor är trasiga.

Följ anvisningarna nedan för att kontrollera om lampor är trasiga:

1. Låt den konstgjorda elden vara påslagen medan du lyfter ut bränslebädden och vattentanken.
2. Det ska vara möjligt att se lamporna med munstycket på plats. Kontrollera vilken av dem som behöver bytas.
3. Knapp A ska ställas om till läge AV och värmekaminen kopplas bort från vägguttaget.
4. Låt enheten stå i 20 minuter så att lamporna hinner svalna innan du tar bort dem.
5. Ta bort tråget enligt anvisningarna i avsnittet "Rengöring".

6. Ta bort den trasiga lampan genom att försiktigt lyfta den rakt uppåt så att stiften frigörs från lamphållaren (se fig. 4 och 4a). Sätt in en ny, färgad OPTIMYST-lampa (12 V, 45 W, Gu5.3-sockel) med 8° strålvinkel.
7. Sätt försiktigt i de två stiften på den nya lampan i de två hålen på lamphållaren. Tryck den på plats med fast hand (se fig. 4 och 4a).
8. Sätt tillbaka tråget, munstycket, vattentanken och bränslebädden.

## RENGÖRING

**Varning!** – Tryck alltid om knapp A till läge AV (0) (se fig. 10) och koppla bort värmekaminen från vägguttaget innan du rengöring.

Följande komponenter bör rengöras varannan vecka, i synnerhet om värmekaminen används i regioner/områden med hårt vatten:

Vattentank, tråg, munstycke, tankens lock och tätning, luftfilter.

Använd en mjuk och ren dammtrasa för allmän rengöring. Använd aldrig slipande rengöringsmedel.

Ta bort damm eller ludd som samlats på värmekaminens utloppsgaller med hjälp av en dammsugare utrustad med ett munstycke med mjuk borste.

### Vattentank

1. Ta bort vattentanken enligt anvisningarna ovan, placera den i vasken och töm ut vattnet.
2. Borsta försiktigt insidan av locket med den medföljande borsten. Var extra noga med gummiringen i den yttre skåran och gummipackningen i mitten.
3. Lägg lite diskmedel i tanken, sätt tillbaka locket, skaka ordentligt och skölj tills alla diskmedelsrester är borta.
4. Fyll endast på med filtrerat kranvatten och skruva på locket igen, men dra inte åt för hårt.

### Tråg

1. Ställ om knapp A till läge AV (0) .
2. Ta försiktigt ut bränslebädden och sätt den på golvet.
3. Ta bort vattentanken genom att lyfta den uppåt.
4. Koppla bort elkontakten som sitter på höger sida av tråget (se fig. 5).
5. Lossa låsflikarna på trågets högra sida genom att vrida dem 90° så att tråget kan lyftas ur helt (se fig. 11).
6. Lyft upp tråget. Håll det rakt för att undvika vattenspill och placera det i vasken.
7. Lossa låsflikarna på trågets vänstra sida genom att vrida dem 90° och lyft därefter bort munstycket (se fig. 3).
8. Ta bort omvandlaren och luta försiktigt tråget såsom figuren visar så att vätskan rinner ut ur tråget (se fig. 13).
9. Lägg lite diskmedel i tråget och rengör försiktigt alla invändiga ytor i tråget samt omvandlaren, inklusive metallskivorna i den övre skåran (se fig. 14).
10. När tråget är rengjort ska det sköljas ordentligt med rent vatten för att avlägsna alla diskmedelsrester.
11. Rengör munstycket med borsten och skölj noga med vatten (se fig. 15).
12. Montera tillbaka allt genom att följa anvisningarna ovan i omvänd ordning.

### Luftfilter

1. Ta försiktigt ut bränslebädden och sätt den på golvet.
2. Dra försiktigt luftfiltret uppåt, ut ur plasthållaren (se fig. 16).
3. Skölj försiktigt med vatten i vasken och torka med en handduk innan du sätter tillbaka det.
4. Byt ut filtret och se till att det grova svarta filtret är vänt mot värmekaminens framsida.
5. Byt ut bränslebädden.

## Ytterligare information

### SERVICE EFTER FÖRSÄLJNING

Garantin för produkten gäller i två år från inköpsdatum. Inom denna period förbinder vi oss att reparera eller byta ut produkten kostnadsfritt (i mån av tillgång, gäller ej lampor) förutsatt att den har installerats och använts i enlighet med denna bruksanvisning. Rättigheterna enligt denna garanti går utöver dina lagstadgade rättigheter som konsument, vilka i sin tur inte påverkas av denna garanti.

### ÅTERVINNING



För elektriska produkter sålda inom EU: Elektriska produkter som har slutat fungera ska inte slängas i hushållsavfallet. Lämna in dem på en för ändamålet avsedd återvinningsstation. Kontakta kommunen eller återförsäljaren för information om återvinning.

## PATENT/PATENTANSÖKAN

Produkter i Optimyst-serien skyddas av ett eller flera av följande patent och patentansökningar:

Storbritannien: GB 2402206, GB 2460259, GB 2460453, GB 2418014, GB 2465738, GB 2449925, GB 2465537, GB 2455277, GB1020534.2, GB1020537.5, GB1110987.3

USA: US 7967690, US 2010299980, US 2011062250, US 2008028648, US 13/167,042

Ryssland: RU2008140317

Europa: EP 2029941, EP 2201301, EP 2315976, EP 1787063, EP07723217.1, EP11170434.2, EP 11170435.9

Kina: CN 101883953, CN 200980128666.2, CN 101057105, CN 101438104

Australien: AU 2009248743, AU 2007224634

Kanada: CA 2725214, CA 2579444, CA 2645939

Internationell patentansökan: WO 2006027272

Sydafrika: ZA 200808702

Mexiko: MX 2008011712

Sydkorea: KR 20080113235

Japan: JP 2009529649

Brasilien: BR P10708894-9

Indien: IN 4122/KOLNP/2008

Nya Zeeland: NZ 571900

### Felsökning

Symptom	Orsak	Åtgärd
Den konstgjorda elden tänds inte.	Nätsladden är ansluten till vägguttaget.  Låg vattennivå.  Lågspänningskontakten är inte ordentligt ansluten (se fig. 5).  Omvandlarenheten sitter inte ordentligt i tråget.	Kontrollera att kontakten är ordentligt isatt i vägguttaget.  Kontrollera att vattentanken är full och att det finns vatten i tråget.  Kontrollera att kontakten är ordentligt ansluten (se fig. 5).  Se till att omvandlaren sitter i fördjupningen i tråget.
Flameffekten från den konstgjorda elden är för liten.	Kontrollratten för flameffekten är för lågt inställd (se fig. 10).  Metallskivan i omvandlaren kan vara smutsig (se fig.14).  Tråden från omvandlarenheten sitter över metallskivan.	Öka den konstgjorda eldens låga genom att långsamt vrida kontrollratt D åt vänster (se fig. 10).  Rengör metallskivan med den mjuka borsten som medföljer (se fig. 14) - se avsnittet "Underhåll" för detaljerade anvisningar.  Dra tråden på trågets baksida och se till att den sitter i sidospåret som går ut från tråget.
Obehaglig lukt när enheten används.	Smutsigt eller gammalt vatten.  Användning av ofiltrerat kranvatten.	Rengör enheten enligt anvisningarna i avsnittet "Underhåll".  Använd endast filtrerat kranvatten.
Den konstgjorda elden avger för mycket rök.	Den konstgjorda eldens flameffekt är för högt inställd.	Vrid den konstgjorda eldens kontrollratt (D) åt höger, ca ett kvarts varv åt gången. Det tar lite tid innan flammgeneratorn hinner justeras till den nya inställningen (se fig. 10).
Huvudlamporna fungerar inte och det kommer ingen eld eller rök.	Det finns inget vatten i vattentanken.	Följ anvisningarna i avsnitten " <b>Underhåll</b> " och "Påfyllning av vattentanken".  Kontrollera att kontakten är ordentligt ansluten till vägguttaget och att knapp A (se fig. 10) står i läge PÅ (I).

## Johdanto

Lue tämä ohjekirja huolellisesti tuotteen asentamiseksi, käyttämiseksi ja huoltamiseksi turvallisesti.

### Tärkeä turvallisuutta koskeva ohje

Henkilö- ja omaisuusvahinkojen välttämiseksi on syytä noudattaa seuraavia turvaohjeita käytettäessä sähkölaitteita:

#### 1. YLIKUUMENEMINEN

**VAROITUS:** Lämmitintä ei saa peittää ylikuumenemisen välttämiseksi. Älä aseta lämmittimen päälle mitään esineitä tai vaatteita äläkä estä ilmaa kiertämästä lämmittimen ympärillä. Lämmitimessä on "ÄLÄ PEITÄ" -varoitusta.

#### 2. VAURIO.

Jos laite on vahingoittunut, tarkistuta se myyjällä ennen asennusta ja käyttöä.

Jos virtajohto vahingoittuu, sen vaihtaminen tulee vaaratilanteiden välttämiseksi antaa valmistajan, valtuutetun huoltopalvelun tai muun vastaavasti pätevän henkilön tehtäväksi.

#### 3. SIJOITUS

Älä käytä ulkona.

Älä käytä kylpyammeen, suihkun tai uima-altaan välittömässä läheisyydessä.

Älä sijoita lämmitintä kiinteän pistorasian tai liitäntärasian välittömään läheisyyteen.

Varmista, ettei huonekaluja, verhoja tai muuta syttyvää materiaalia sijoiteta alle 1 metrin etäisyydelle lämmittimestä.

Vaikka lämmitin on turvallisuusstandardien mukainen, emme suosittele sen käyttöä paksujen karvalankamattojen päällä.

#### 4. PISTOKKEEN LIITTÄMINEN

Lämmitin tulee sijoittaa niin, että pistoke on ulottuvilla.

Siirrä virtajohto pois lämmittimen edestä.

#### 5. MUIDEN OHJAIMIEN KÄYTTÖ

Älä käytä lämmitintä sarjakytkeettynä termostaattisäätimen, ohjelmointisäätimen, ajastimen tai muun lämmityksen automaattisesti päälle kytkevän laitteen kanssa. Tämä saattaa aiheuttaa tulipalon vaaran, mikäli lämmitin tahattomasti peitetään tai siirretään paikaltaan.

#### 6. SÄHKÖVERKOSTA IRROTTAMINEN

Irrota vian ilmetessä laite virtalähteestä.

Irrota laite virtalähteestä, jos se on pitkään käyttämättömänä.

#### 7. OMISTAJA/KÄYTTÄJÄ

Tätä laitetta ei ole tarkoitettu fyysisesti, aistitoiminnaltaan tai henkisesti puutteellisten henkilöiden, kokemattomien ja laitetta tuntemattomien lapsien tai henkilöiden käyttöön ilman, että heidän turvallisuudestaan vastaava henkilö avustaa tai antaa ohjeita laitteen käytöstä. Lapsia tulee pitää silmällä varmistaen, että he eivät leiki laitteella.

#### 8. SÄHKÖ

**VAROITUS – TÄMÄ LAITE TÄYTY MAADOITTA**

Tätä lämmitintä voi käyttää ainoastaan vaihtovirralla, ja lämmittimeen merkityn jännitteen tulee vastata syöttöjännitettä.

Lue turvallisuus- ja käyttöohjeet ennen lämmittimen käyttöönottoa.

## Yleistä

Käytä tässä laitteessa ainoastaan suodatettua vettä.

Varmista aina, että laite on sijoitettu tasaiselle alustalle.

Vaikka lämmitin on turvallisuusstandardien mukainen, emme suosittele sen käyttöä paksujen karvalankamattojen päällä.

Huomaa: Hiljaisessa ympäristössä lämmittimestä saattaa kuulua jonkin verran ääntä, joka johtuu liekkitehosteen toiminnasta. Tämä on aivan normaalia eikä anna syytä huoleen.

Jos tässä tuotteessa ilmenee jostakin syystä ylijännitettä, laitteen virta voi katketa. Tämä on normaali turvaominaisuus ja laite jatkaa toimintaa 30 sekunnin kuluttua.

Älä koskaan siirrä tätä laitetta tai aseta sitä takaosan varaan asennuksen jälkeen, ellei vettä ole poistettu kotelorakenteesta ja vesisäiliöstä.

Jos laitetta ei aiota käyttää yli 2 viikkoon, tyhjennä vesi kotelorakenteesta ja vesisäiliöstä ja kuivaa kotelorakenne.

Vesisäiliö, kotelorakenne, kotelorakenteen kansi, säiliön korkki ja ilmansuodattimet tulee puhdistaa kerran kahdessa viikossa, erityisesti alueen veden ollessa kovaa.

Laitetta ei saa missään tapauksessa käyttää, jos lamput eivät toimi.

Lamput tulee tarkistaa säännöllisesti osion "Huolto" ja "Lamppujen vaihto" ohjeiden mukaisesti.

## Asennusohjeet

Tämä osio sisältää tulen asennusohjeet.

### ENNEN KÄYTTÖÖNOTTOA

1. Varmista, että kaikki pakkausmateriaalit on poistettu (lue kaikki varoitusmerkit huolellisesti) ja säilytä kaikki pakkausmateriaalit tulevia käyttökertoja varten (esim. muuttaessa tai jos laite palautetaan jälleenmyyjälle).
2. Tarkista ennen laitteen liittämistä, että syöttöjännite vastaa lämmittimessä ilmoitettua arvoa.

#### Muuntimen + lamppujen liittäminen

1. Irrota kaksi punaista kielekettä kääntämällä niitä 90 astetta (kuva 2).
2. Nosta kotelorakenteen suukappale pois (kuva 3).
3. Aseta lamput vastaaviin pidikkeisiin (kuva 4) niin, että pistikkeet menevät reikiin (kuva 4a).
4. Paina lamput tiukasti paikoilleen.
5. Aseta muunnin koteloon ja liitä johto kotelorakenteen liittimeen (kuva 5).
6. Jotta muuntaja olisi oikein paikoillaan kotelorakenteessa, muuntimen kieleke on kohdistettava ylöspäin kotelorakenteen syvennykseen (kuva 5a).
7. Varmista, ettei johto ole levyn yläpuolella muuntajassa (kuva 5b). Jotta johto ei puristuisi suukappaleen ja kotelorakenteen väliin, aseta johto kotelorakenteen seinämän aukkoon.
8. Aseta suukappale paikoilleen ja kiinnitä se kääntämällä kahta punaista kielekettä 90 astetta (kuva 6).

#### Vesisäiliön täyttäminen

9. Aseta vesisäiliö pesualtaaseen ja poista korkki (avaa kiertämällä vastapäivään) (kuva 7).
10. Täytä vesisäiliö **ainoastaan suodatetulla hanavedellä**. Täten liekin ja savun tuottoyksikön käyttöikä on pitempi. Vesi tulee suodattaa tavallisen kotikäyttöisen vedensuodattimen avulla ja suodatin on vaihdettava säännöllisesti. Tislattua vettä **ei saa** käyttää.
11. Kierrä korkki takaisin paikoilleen – **älä kiristä liikaa**.
12. Aseta vesisäiliö kotelorakenteeseen säiliön korkki alaspäin ja säiliön tasainen puoli ulospäin (kuva 8).

#### Tulen kokoaminen

13. Aseta polttoainekerros vesisäiliön ja sumutussuulakkeen päälle (kuva 9).

## Liekin sytyttäminen


Tämä osio sisältää ohjeet liekin sytyttämiseksi joko manuaalisilla ohjaimilla tai kaukosäätimellä.


### MANUAALISET OHJAIMET


Manuaaliset ohjaimet sijaitsevat saranaluukun alapuolella. (katso manuaalisten ohjaimien sijainti kuvasta 10).

Kytkin "A":- Säättää tulen virransyöttöä.

Huomautus: Kyseisen kytkimen on oltava asennossa "ON" ( I ), jolloin tuli palaa joko lämmöllä tai ilman lämpöä.

Kytkin "B":- Paina  kerran liekkitehosteen kytkemiseksi päälle. Laitteesta kuuluu tällöin äänimerkki. Vaikka päävalot syttyvät välittömästi, liekkitehoste aktivoituu 30 sekunnin kuluttua.

Paina  uudelleen liekkitehosteen ja puolilämmön kytkemiseksi päälle. Laitteesta kuuluu tällöin kaksi äänimerkkiä.

Paina  uudelleen liekkitehosteen ja täyden lämmön kytkemiseksi päälle. Laitteesta kuuluu tällöin kolme äänimerkkiä.

Paina  uudelleen ainoastaan liekkitehosteen aktivoimiseksi. Laitteesta kuuluu tällöin yksi äänimerkki.

Paina  asettaaksesi tulen valmiustilaan. Laitteesta kuuluu tällöin yksi äänimerkki.

Säädin "C":- Säättää lämpötila-asetusta.

Lämpötila-asetus laskee säädintä käännettäessä vasemmalle, ja vastaavasti nousee säädintä käännettäessä oikealle.

Säädin "D":- Säättää liekkitehosteen voimakkuutta.

Liekkitehoste laskee säädintä käännettäessä vasemmalle, ja vastaavasti nousee säädintä käännettäessä oikealle.

### LÄMPÖTILAN ASETUS

Varmista, että tuli on kytketty pistokkeeseen ja kytke se päälle täydelle lämpöasetukselle. Käännä säädin "C" kokonaan oikealle (maksimilämpötila-asetus) huoneen lämmittämiseksi nopeasti. Kun haluttu huoneenlämpötila on saavutettu, käännä lämpötilan säädintä hitaasti taaksepäin, kunnes lämpötilan säädin napsahtaa ja kytkeytyy pois päältä. Lämmitin ylläpitää tämän jälkeen valitun huoneenlämpötilan.

Huomautus: Jos lämmitin ei kytkeydy päälle, kun lämpötilan säädin on asetettu minimiasentoon, huoneenlämpötila voi olla lämpötilan säätimen asetusta korkeampi.



## TERMOSTAATILÄMPÖKATKAISU

Tuuletinlämmitin on varustettu termostaattilämpökatkaisulla ylikuumenemisesta aiheutuvien vahinkojen estämiseksi. Ylikuumenemista voi tapahtua, jos lämmön ulospääsy estyy jollakin tavalla. Jos termostaattilämpökatkaisu aktivoituu, irrota lämmitin sähköverkosta ja odota 10 minuuttia ennen sen uudelleen liittämistä. Poista lämpöaukon mahdolliset esteet ennen kuin kytket lämmittimen takaisin päälle ja jatkat normaalia käyttöä.

**Huomautus:** Termostaattilämpökatkaisun tahattoman toiminnan aiheuttamien vaaratilanteiden välttämiseksi laitteeseen ei saa liittää ulkoista kytkintä, kuten ajastinta, eikä sitä saa liittää kytkimeen, jonka sähkölaitos säännöllisin väliajoin kytkee päälle/pois päältä.

## HALUTUN LIEKKITEHOSTEEN SAAVUTTAMINEN

1. Liekin säädintä "D" (kuva 10) voidaan kääntää ylös tai alas realistisemmän vaikutuksen luomiseksi.
2. Liekit ovat yleensä realistisemmat, kun liekin säädin on ala-asennossa.
3. Odota, että liekkigeneraattori reagoi tekemiisi muutoksiin.
4. Liekki käyttää vähemmän vettä, jos liekkitehoste on asetettu alatasolle.
5. Älä kallista tai siirrä liekkiä, kun säiliössä tai kotelorakenteessa on vettä.
6. Varmista, että tuli on tasaisella alustalla.

## KAUKOSÄÄTIMEN KÄYTTÖ

Käyttöpaneelin kytkimen A (kuva 10) on oltava asennossa "ON" ( I ), jotta kaukosäädin toimisi.

Kaukosäätimessä on 3 painiketta (kuva 12). Kaukosäädin toimii virheettömästi, kun se suunnataan säleikön etuosaa kohti (kuva 17). Kaukosäätimen toiminnot ovat seuraavat:



Paina kerran ainoastaan liekkitehosteen kytkemiseksi päälle.  
Laitteesta kuuluu tällöin yksi äänimerkki.



Paina kerran puolilämmön ja liekkitehosteen kytkemiseksi päälle.  
Laitteesta kuuluu tällöin kaksi äänimerkkiä.  
Paina kerran täyden lämmön ja liekkitehosteen kytkemiseksi päälle.  
Laitteesta kuuluu tällöin kolme äänimerkkiä.



Valmiustila  
Laitteesta kuuluu tällöin yksi äänimerkki.

## Huolto

### YLEISIÄ VINKKEJÄ

Käytä tässä laitteessa ainoastaan suodatettua hanavettä.

Varmista aina, että laite on sijoitettu tasaiselle alustalle.

Jos laitetta ei aiota käyttää yli 2 viikkoon, poista ja tyhjennä kotelorakenne ja vesisäiliö.

Älä koskaan siirrä tätä laitetta tai aseta sitä takaosan varaan asennuksen jälkeen, ellei vettä ole poistettu kotelorakenteesta ja vesisäiliöstä.

Laitetta ei saa missään tapauksessa käyttää, jos lamput eivät toimi.

Lamput tulee tarkistaa säännöllisesti osion "Lamppujen vaihto" ohjeiden mukaisesti.

### VESISÄILIÖN TÄYTTÄMINEN

Kun vesisäiliö on tyhjä, liekki- ja savutehoste sammuu ja laitteesta kuuluu 2 äänimerkkiä, toimi seuraavasti.

1. Paina kytkin "A" asentoon (0) (kuva 10).
2. Nosta polttoainekerros varoen pois ja aseta se sivuun.
3. Irrota vesisäiliö nostamalla sitä ylös- ja ulospäin.
4. Aseta vesisäiliö pesualtaaseen ja poista korkki (avaa kiertämällä vastapäivään) (kuva 7).
5. Täytä vesisäiliö **ainoastaan suodatetulla hanavedellä**. Täten liekin ja savun tuottoyksikön käyttöikä on pitempi. Vesi tulee suodattaa tavallisen kotikäyttöisen vedensuodattimen avulla ja suodatin on vaihdettava säännöllisesti.
6. Kierrä korkki takaisin, älä kiristä liikaa.
7. Aseta vesisäiliö takaisin kotelorakenteeseen säiliön korkki alaspäin ja säiliön tasainen puoli ulospäin (kuva 8).
8. Aseta polttoainekerros varoen takaisin paikoilleen (kuva 9).
9. Paina kytkin "A" asentoon "ON" (I) (kuva 10).

### LAMPPUJEN VAIHTAMINEN

Jos liekki- ja savutehoste ovat harmaat tai värittömät, yksi tai useampi lamppu on voinut palaa.

Määritä palanut lamppu seuraavasti.

1. Kytke liekkitehoste päälle ja nosta polttoainekerros ja vesisäiliö pois.
2. Lamput näkyvät suokappale paikoillaan. Määritä vaihdettava lamppu.
3. Käännä kytkin "A" asentoon "OFF", ja irrota pistoke pistorasiasta.
4. Anna lamppujen jäähtyä 20 minuuttia ennen niiden poistamista.
5. Poista kotelorakenne puhdistusohjeiden mukaisesti.

6. Poista palanut lamppu nostamalla sitä kevyesti ylöspäin ja irrottamalla sen pistikkeet lampun pidikkeestä (kuva 4 ja 4a). Vaihda lamppu uuteen OPTIMYST, 12 V, 45 W, Gu5.3 -kantaiseen värilliseen lamppuun, jonka sädekulma on 8° (hankittava paikalliselta jälleenmyyjältä).
7. Aseta uuden lampun kaksi pistikettä varoen lampun pidikkeessä oleviin reikiin. Paina hyvin paikoilleen (kuva 4 ja 4a).
8. Aseta kotelorakenne, suukappale, vesisäiliö ja polttoainekerros takaisin paikoilleen.

## PUHDISTUS

**Varoitus** – Paina kytkin ”A” aina asentoon ”OFF” (0) (kuva 10) ja irrota se sähköverkosta ennen liekin puhdistamista.

Seuraavat osat on suositeltavaa puhdistaa 2 viikon välein, erityisesti alueen veden ollessa kovaa:

Vesisäiliö, kotelorakenne, suukappale, säiliön korkki ja tiiviste, ilmansuodatin.

Käytä yleispuhdistukseen puhdasta, pehmeää pölypyyhettä – älä koskaan käytä naarmuttavia puhdistusaineita.

Puhallinlämmittimen poistosäleikköön kertynyt pöly tai nöyhtä tulee silloin tällöin puhdistaa pölynimurin pehmeällä harjaosalla.

## Vesisäiliö

1. Poista vesisäiliö edellä olevien ohjeiden mukaisesti, aseta se pesualtaaseen ja poista vesi.
2. Hankaa korkin sisäpintoja kevyesti tuotteen mukana toimitetulla harjalla. Käsittele ulkoisen uran kummirengasta ja keskellä olevaa kumitiivistettä erityisen varoen.
3. Lisää hiukan tiskiainetta säiliöön, aseta korkki takaisin paikoilleen ja ravista hyvin. Huuhtelee tiskiaine kokonaan pois.
4. Täytä uudelleen suodatetulla hanavedellä, aseta korkki takaisin paikoilleen kiristämättä sitä liikaa.

## Kotelorakenne

1. Paina kytkin ”A” asentoon ”OFF” (0).
2. Nosta polttoainekerros varoen pois ja aseta se varoen maahan.
3. Irrota vesisäiliö nostamalla sitä ylöspäin.
4. Irrota sähköliitin kotelorakenteen oikealta puolelta (kuva 5).
5. Vapauta kotelorakenteen oikeanpuoleiset lukituskielekkeet kääntämällä niitä 90°. Tällöin kotelorakenne voidaan nostaa kokonaan pois paikoiltaan (kuva 11).
6. Nosta kotelorakennetta kevyesti ylöspäin ja pidä sitä vaakatasossa niin, ettei vettä roisku. Aseta kokoonpano pesualtaaseen.
7. Vapauta kotelorakenteen vasemmanpuoleiset lukituskielekkeet kääntämällä niitä 90°, nosta sitten suukappale pois (kuva 3).
8. Nosta muuntaja pois ja kallista sitä hiukan kuvan mukaisesti, jotta neste valuu pois kotelorakenteesta (kuva 13).
9. Lisää hiukan tiskiainetta kotelorakenteeseen, puhdista kaikki kotelorakenteen pinnat, muuntaja ja yläosan urissa olevat metallilevyt käyttäen kevyesti tuotteen mukana toimitettua harjaa (kuva 14).
10. Huuhtelee kotelorakenne pesemisen yhteydessä huolellisesti puhtaalla vedellä, jotta tiskiaine poistuu kokonaan.
11. Puhdista suukappale harjalla ja huuhtelee se huolellisesti vedellä (kuva 15).
12. Asenna osat takaisin paikoilleen noudattamalla edellä olevia ohjeita päinvastaisessa järjestyksessä.

## Ilmansuodatin

1. Nosta polttoainekerros varoen pois ja aseta se varoen maahan.
2. Liu”uta ilmansuodatinta kevyesti ylöspäin, jotta se irtoaa muovipidikkeestä (kuva 16).
3. Huuhtelee suodatin varoen vedellä pesualtaassa ja kuivaa se kankaalla.
4. Kiinnitä suodatin takaisin paikoilleen ja varmista, että karkea musta suodatin osoittaa liekin etuosaan päin.
5. Asenna polttoainekerros takaisin paikoilleen.

## Lisätieto

### ASIAKASPALVELU

Tuotteella on kahden vuoden takuu ostopäivästä alkaen. Tänä aikana lupaamme korjata tai vaihtaa tuotteen (saatavuuden mukaan, ei koske lamppeja) maksutta sillä edellytyksellä, että se on asennettu ja sitä on käytetty näiden ohjeiden mukaisesti. Tämän takuun oikeudet toimivat lainmukaisten oikeuksien lisänä, tämä takuu ei vaikuta lainmukaisiin oikeuksiin.

### KIERRÄTYS



EU-maissa myydyt sähkölaitteet - Käytettyjä sähkölaitteita ei saa hävittää kotitalousjätteen mukana. Kierrätä laite mahdollisuuksien mukaan. Pyydä lisätieto kierrätyksestä paikallisilta viranomaisilta tai jälleenmyyjältä.

## PATENTTI/PATENTTIHAKEMUS

Optimystuotevalikoiman tuotteet on suojattu yhdellä tai useammalla seuraavista patenteista ja patenttihakemuksista:

Iso-Britannia GB 2402206, GB 2460259, GB 2460453, GB 2418014, GB 2465738, GB 2449925, GB 2465537, GB 2455277, GB1020534.2, GB1020537.5, GB1110987.3

Yhdysvallat US 7967690, US 2010299980, US 2011062250, US 2008028648, US 13/167,042

Venäjä RU2008140317

EU-maat EP 2029941, EP 2201301, EP 2315976, EP 1787063, EP07723217.1, EP11170434.2, EP 11170435.9

Kiina CN 101883953, CN 200980128666.2, CN 101057105, CN 101438104

Australia AU 2009248743, AU 2007224634

Kanada CA 2725214, CA 2579444, CA 2645939

Kansainvälinen patenttihakemus WO 2006027272

Etelä-Afrikka ZA 200808702

Meksiko MX 2008011712

Korea KR 20080113235

Japani JP 2009529649

Brasilia BR P10708894-9

Intia IN 4122/KOLNP/2008

Uusi-Seelanti NZ 571900

## Vianmääritys

Ongelma	Syy	Korjaava toimenpide
Liekkitehoste ei käynnisty.	Pistoketta ei ole kytketty pistorasiaan.  Vesitaso on alhainen.  Matalajänniteliitintä ei ole kytketty oikein (kuva 5).  Muuntaja on virheellisesti kotelorakenteessa.	Tarkista, että pistoke on kytketty oikein pistorasiaan.  Tarkista, että vesisäiliö on täysi ja että kotelorakenteessa on vettä.  Tarkista, että liitin on kytketty oikein (kuva 5).  Varmista, että muuntaja on asetettu alaspäin kotelorakenteen syvennykseen.
Liekkitehoste on liian matala.	Liekkitehosteen säätimen asetus on liian alhainen (kuva 10).  Muuntajan metallilevy voi olla likainen (kuva 14).  Muuntajan johto on metallilevyn päällä.	Lisää liekkitasoa kääntämällä säädintä "D" hitaasti vasemmalle (kuva 10).  Puhdista metallilevy pakkaukseen kuuluvalla pehmeällä harjalla (kuva 14). Katso yksityiskohtaiset ohjeet osiosta "Huolto".  Ohjaa johto kotelorakenteen takaosaan ja varmista, että se on kotelorakenteen sivuaukossa.
Laitteesta tulee epämiellyttävää hajua käytön aikana.	Vesi on likaista tai seisovaa.  Hanavettä ei ole suodatettu.	Puhdista laita Huolto-osion ohjeiden mukaisesti.  Käytä ainoastaan suodatettua hanavettä.
Liekkitehoste tuottaa liikaa savua.	Liekkitehosteen asetus on liian korkea.	Käännä liekkitehosteen säädintä "D" oikealle noin ¼ kierrosta kerrallaan. Anna liekkigeneraattorin säätyä uuteen asetukseen (kuva 10).
Päälamput eivät toimi, liekkejä tai savua ei ole.	Vesisäiliössä ei ole vettä.	Noudata osion <b>Huolto</b> kohdan "Vesisäiliön täyttäminen" ohjeita.  Tarkista, että pistoke on liitetty oikein pistorasiaan ja että kytkin "A" (kuva 10) on asennossa "ON" (I).

## Wstęp

Przeczytaj uważnie tę instrukcję, aby w bezpieczny sposób zainstalować, używać i konserwować swój produkt.

## Ważne zalecenia dotyczące bezpieczeństwa

Przy korzystaniu z urządzeń elektrycznych należy zawsze postępować zgodnie z wymienionymi poniżej podstawowymi zasadami bezpieczeństwa, w celu uniknięcia ryzyka pożaru, porażenia prądem elektrycznym lub powstania obrażeń cielesnych:

### 1. PRZEGRZANIE

**OSTRZEŻENIE:** W celu uniknięcia przegrzania, nie wolno przykrywać grzejnika. Nie wolno kłaść na grzejniku żadnych materiałów i odzieży, ani blokować przepływu powietrza wokół grzejnika. Na grzejniku znajduje się etykieta ostrzegawcza „DO NOT COVER” (NIE ZAKRYWAĆ).

### 2. USZKODZENIE

Jeśli urządzenie jest uszkodzone, przed rozpoczęciem instalowania i eksploatacji, należy skontaktować się z dostawcą. W przypadku uszkodzenia przewodu zasilającego ze względów bezpieczeństwa musi on zostać wymieniony przez producenta, serwisanta lub osobę o podobnych kwalifikacjach.

### 3. UMIEJSCOWIENIE

Nie należy używać urządzenia na wolnym powietrzu.

Tego urządzenia nie wolno używać w bezpośrednim sąsiedztwie wanny, pryszniczki ani basenu.

Nie wolno ustawiać tego urządzenia bezpośrednio pod stałym gniazdem elektrycznym ani skrzynką rozdzielczą.

Meble, zasłony ani żadne inne łatwopalne przedmioty nie mogą znajdować się bliżej niż 1 m od grzejnika.

Grzejnik spełnia odpowiednie normy bezpieczeństwa, jednak nie zaleca się ustawiania go na dywanach z długim włosiem ani grubych chodnikach.

### 4. UMIEJSCOWIENIE WTYCZKI

Urządzenie należy ustawić w taki sposób, aby zapewnić łatwy dostęp do wtyczki przewodu zasilającego.

Kabel zasilający należy prowadzić z dala od grzejnika.

### 5. KORZYSTANIE Z INNYCH ELEMENTÓW STEROWANIA

Nie wolno używać tego urządzenia z szeregowo zainstalowanym regulatorem temperatury, regulatorem programowym, timerem ani żadnym innym urządzeniem automatycznie włączającym grzanie, ponieważ przypadkowe przykrycie grzejnika lub przesunięcie go stworzy zagrożenie pożarowe.

### 6. ODŁĄCZENIE URZĄDZENIA

W przypadku awarii należy wyciągnąć z gniazdka wtyczkę przewodu zasilającego.

Jeśli urządzenie nie jest używane przez dłuższy czas, należy wyciągnąć wtyczkę przewodu zasilającego z gniazda elektrycznego.

### 7. POSIADACZ/UŻYTKOWNIK

To urządzenie nie może być używane przez dzieci lub osoby o ograniczonych zdolnościach fizycznych, sensorycznych lub psychicznych oraz nieposiadających odpowiedniego doświadczenia lub wiedzy, chyba że taka osoba jest nadzorowana lub została przeszkolona przez inną osobę, odpowiedzialną za bezpieczeństwo użytkownika. Należy dopilnować, aby dzieci nie używały urządzenia do zabawy.

### 8. ZASILANIE ENERGIĄ ELEKTRYCZNĄ

**OSTRZEŻENIE – URZĄDZENIE MUSI BYĆ UZIEMIONE.**

Grzejnik może być zasilany wyłącznie prądem zmiennym o napięciu zgodnym z wartością podaną na tabliczce znamionowej. Przed włączeniem urządzenia należy przeczytać wszystkie zasady bezpieczeństwa i instrukcje obsługi.

## Informacje ogólne

W tym urządzeniu można stosować wyłącznie przefiltrowaną wodę.

Zawsze należy upewnić się, że urządzenie znajduje się na równej powierzchni.

Grzejnik spełnia odpowiednie normy bezpieczeństwa, jednak nie zaleca się ustawiania go na dywanach z długim włosiem ani grubych chodnikach.

Uwaga: w przypadku używania kominka w miejscu o bardzo niskim poziomie hałasu, może być słyszalny dźwięk związany z działaniem efektu płomienia. Jest to normalne zjawisko i nie powinno budzić niepokoju.

W przypadku wystąpienia przepięcia produkt może się wyłączyć. Jest to normalne zachowanie w tym przypadku.

Urządzenie wznowi działanie po 30 sekundach.

Po zainstalowaniu nie wolno przenosić ani kłaść tego urządzenia na tylnej ścianie, bez wcześniejszego spuszczenia wody ze zbiornika odpływowego oraz zasobnika wody.

Jeśli urządzenie nie będzie używane przez dłużej niż 2 tygodnie, należy spuścić wodę ze zbiornika odpływowego i zasobnika wody oraz wysuszyć zbiornik odpływowy.

Zasobnik wody, zbiornik odpływowy, pokrywa zbiornika, korek zbiornika oraz filtry powietrza muszą być czyszczone co dwa tygodnie, szczególnie w przypadku używania twardej wody.

Urządzenia nie wolno używać, jeśli nie działają lampy.

Lampy należy regularnie sprawdzać, zgodnie z opisem w punkcie „Konserwacja” i „Wymiana lamp”.

## Instrukcja montażu

W tej części opisano, w jaki sposób zamontować kominek.

### PRZED ROZPOCZĘCIEM

1. Sprawdzić, czy wszystkie elementy opakowania zostały zdjęte (zapoznaj się z etykietami ostrzegawczymi), i zachowaj opakowanie na przyszłość, aby móc użyć go w przypadku przeprowadzki lub zwrotu urządzenia do dostawcy.
2. Przed podłączeniem urządzenia należy sprawdzić, czy napięcie zasilania jest takie samo jak podane na tabliczce znamionowej grzejnika.

#### Podłączanie przetwornika i lamp

1. Zwolnić dwie czerwone klapki, przekręcając je o 90 stopni (Rys. 2).
2. Podnieść dyszę zbiornika odpływowego (Rys. 3).
3. Włożyć lampy w uchwyty (Rys. 4), delikatnie umieszczając styki w otworach (Rys. 4a).
4. Docisnąć dobrze lampy.
5. Umieścić przetwornik w zbiorniku odpływowym i podłączyć kabel do złącza na zbiorniku (Rys. 5).
6. Aby upewnić się, że przetwornik jest prawidłowo umieszczony w zbiorniku, sprawdzić, czy klapka na przetworniku jest umieszczona równo w wyprofilowanym zagłębieniu zbiornika (Rys. 5a).
7. Sprawdź, czy kabel nie jest umieszczony nad dyskiem na przetworniku (Rys. 5b). Aby zapobiec przedziurawieniu kabla między dyszą a zbiornikiem odpływowym, umieścić kabel w rowku na ścianie zbiornika.
8. Wymienić dyszę zbiornika odpływowego i zamocować ją, przekręcając dwie czerwone klapki o 90 stopni (Rys. 6).

#### Napełnianie zasobnika wody

9. Umieścić zasobnik wody w zlewie i zdjąć korek (przekręć w lewo) (Rys. 7).
10. Napełniać zasobnik **wyłącznie przefiltrowaną wodą kranową**. Dzięki temu moduł generujący płomień i dym będzie działał niezawodnie przez dłuższy czas. Wodę należy przefiltrować za pomocą typowego domowego filtra do wody. Filtr należy regularnie wymieniać. Nie wolno używać **wody** destylowanej.
11. Przykręcić korek – **nie dokręcając go zbyt mocno**.
12. Umieścić zasobnik wody w zbiorniku odpływowym, z korkiem zasobnika skierowaną do dołu i płaską stroną na zewnątrz (Rys. 8).

#### Montaż kominka

13. Umieścić palenisko nad zasobnikiem wody i dyszą (Rys. 9).

## Obsługa kominka


W części tej opisano, jak uruchomić kominek za pomocą sterowania ręcznego lub zdalnego.


### PRZEŁĄCZNIKI RĘCZNE


Przełączniki ręczne znajdują się pod odchyloną klapą. (rozmieszczenie przełączników ręcznych zostało przedstawione na rys. 10).


Przełącznik „A”: steruje dopływem zasilania elektrycznego do kominka.


Uwaga: Przełącznik musi znajdować się na pozycji „ON” (włączanie) (I), aby kominek po uruchomieniu pracował z lub bez funkcji grzania.

Przełącznik „B”: – Nacisnąć  jeden raz, aby włączyć efekt płomienia. Zostanie to zasygnalizowane sygnałem dźwiękowym. Główne lampy włączają się natychmiast, natomiast efekt płomienia zostanie uruchomiony po kolejnych 30 sekundach.

Nacisnąć  ponownie, aby uzyskać efekt płomienia i połowę mocy grzania. Zostanie to zasygnalizowane dwoma sygnałami dźwiękowymi.

Nacisnąć  ponownie, aby uzyskać efekt płomienia i pełną moc grzania. Zostanie to zasygnalizowane trzema sygnałami dźwiękowymi.

Nacisnąć  ponownie, aby wrócić do trybu samego efektu płomienia. Zostanie to zasygnalizowane jednym sygnałem dźwiękowym.

Nacisnąć,  aby przełączyć kominek w tryb czuwania. Zostanie to zasygnalizowane jednym sygnałem dźwiękowym.

Pokrętko sterowania „C”: sterowanie ustawieniem termostatu.

Obrócenie pokrętki w lewo zmniejsza wartość temperatury, a obrócenie w prawo zwiększa.

Pokrętko sterowania „D”: steruje intensywnością efektu płomienia.

Obrócenie pokrętki w lewo zwiększa efekt płomienia, a obrócenie w prawo zmniejsza.

### USTAWIANIE TERMOSTATU

Sprawdzić, czy kominek jest podłączony do zasilania, a następnie włączyć go na pełną moc grzania. Obrócić pokrętko „C” całkowicie w prawo (maks. ustawienie temperatury), aby szybko nagrzać pomieszczenie. Gdy w pomieszczeniu zostanie osiągnięta wymagana temperatura, należy powoli obrócić pokrętko termostatu w drugą stronę, aż do usłyszenia kliknięcia. Grzejnik będzie utrzymywał temperaturę w pomieszczeniu na ustawionym poziomie.

Uwaga: Uwaga: jeśli grzejnik nie włączy się, gdy termostat jest ustawiony na niską wartość, może to być spowodowane faktem, że temperatura w pomieszczeniu jest wyższa od ustawienia termostatu.

## TERMOWYŁĄCZNIK ZABEZPIECZAJĄCY

Kominek posiada termowyłącznik zabezpieczający, który zapobiega uszkodzeniu urządzenia na skutek przegrzania. Może to nastąpić, jeśli wylot gorącego powietrza zostanie zasłonięty. Gdy zadziała termowyłącznik zabezpieczający, należy odłączyć grzejnik od źródła zasilania i odczekać około 10 minut przed kolejnym podłączeniem. Przed ponownym włączeniem grzejnika należy usunąć wszelkie przedmioty, które mogą ograniczać wydostawanie się gorącego powietrza, a następnie wznowić normalną pracę urządzenia.

**Ostrzeżenie:** Aby uniknąć niebezpieczeństwa związanego z przypadkowym wyzerowaniem termowyłącznika, urządzenia nie można zasilać z wykorzystaniem zewnętrznego urządzenia przełączającego, takiego jak wyłącznik czasowy (timer), ani nie można podłączać go do obwodu zasilania, który jest regularnie włączany i wyłączany przez dostawcę energii.

## UZYSKANIE ZAMIERZONEGO EFEKTU PŁOMIENIA

1. Pokrętko sterowania płomieniem „D” (rys. 10) można obracać w górę lub w dół, aby zapewnić bardziej realistyczny efekt.
2. Zazwyczaj płomień wygląda bardziej realistycznie, gdy pokrętko sterowania płomieniem jest ustawione na niski poziom.
3. Wygenerowanie wprowadzonych zmian płomienia może wymagać czasu.
4. Kominek będzie zużywał mniej wody, jeśli efekt płomienia jest ustawiony na niski poziom.
5. Nie przechylać ani nie przenosić kominka, gdy w zasobniku wody lub zbiorniku odpływowym znajduje się woda.
6. Należy zawsze upewnić się, że kominek jest umieszczony na równym podłożu.

## OBSŁUGA PILOTA

Aby pilot zdalnego sterowania działał, przełącznik A (rys. 10) na panelu sterowania musi być w pozycji włączonej (I). Pilot posiada 3 przyciski (patrz rys. 12). Aby pilot zdalnego sterowania działał prawidłowo, należy skierować go w stronę przodu grzejnika (rysunek 17). Funkcje pilota zdalnego sterowania:



Nacisnąć raz, aby włączyć tylko efekt płomienia.  
Zostanie to zasygnalizowane jednym sygnałem dźwiękowym.



Nacisnąć ponownie, aby włączyć połowę mocy grzania i efekt płomienia.  
Zostanie to zasygnalizowane dwoma sygnałami dźwiękowymi.  
Nacisnąć ponownie, aby włączyć pełną moc grzania i efekt płomienia.  
Zostanie to zasygnalizowane trzema sygnałami dźwiękowymi.



Stan gotowości  
Zostanie to zasygnalizowane jednym sygnałem dźwiękowym.

## Konserwacja

### OGÓLNE WSKAZÓWKI

W tym urządzeniu można stosować wyłącznie przefiltrowaną wodę kranową.

Zawsze należy upewnić się, że urządzenie znajduje się na równej powierzchni.

W przypadku nieużywania urządzenia przez okres dłuższy niż 2 tygodnie należy wyjąć i opróżnić zasobnik wody i zbiornik odpływowy.

Po zainstalowaniu nie wolno przenosić ani kłaść tego urządzenia na tylnej ścianie, bez wcześniejszego spuszczenia wody ze zbiornika odpływowego oraz zasobnika wody.

Urządzenia nie wolno używać, jeśli nie działają lampy.

Lampy należy regularnie sprawdzać, zgodnie z opisem w punkcie „Konserwacja” i „Wymiana lamp”.

### NAPEŁNIANIE ZASOBNIKA WODY

Gdy zasobniku wody skończy się woda, efekt płomienia i dymu zostanie wyłączony oraz rozlegną się 2 sygnały dźwiękowe. Należy postępować zgodnie z poniższą procedurą.

1. Ustawić przełącznik „A” w położeniu **(0)** (Rys. 10).
2. Delikatnie unieść palenisko i ostrożnie położyć z boku.
3. Wyjąć zasobnik wody, podnosząc go do góry i wysuwając na zewnątrz.
4. Umieścić zasobnik wody w zlewku i odkręcić korek. Aby otworzyć, odkręcać przeciwnie do ruchu wskazówek zegara: obrót w lewo (Rys. 7).
5. Napelnić zasobnik **wyłącznie przefiltrowaną wodą kranową**. Dzięki temu moduł generujący płomień i dym będzie działał niezawodnie przez dłuższy czas.

Wodę należy przefiltrować za pomocą typowego domowego filtra do wody. Filtr należy regularnie wymieniać.

6. Dokręcić korek, uważając, by nie przekręcić.
7. Umieścić zasobnik w zbiorniku, tak, aby korek zasobnika był skierowany w dół, a płaska strona zasobnika była skierowana na zewnątrz (Rys. 8).
8. Delikatnie umieścić palenisko na swoim miejscu (Rys. 9).
9. Ustawić przełącznik „A” w pozycji Wł. **(I)** (Rys. 10).

### WYMIANA LAMP

Jeśli efekt płomienia i dymu jest szary lub bezbarwny, może to oznaczać, że przynajmniej jedna żarówka nie działa. Działanie żarówki należy sprawdzić zgodnie z poniższą procedurą.

1. Pozostawić włączony efekt płomienia i podnieść palenisko oraz zasobnik wody.
2. Gdy dysza znajduje się na miejscu, lampy powinny być widoczne i powinno być możliwe ustalenie lampy do wymiany.
3. Ustawić przełącznik „A” w położeniu Wył. i odłączyć grzejnik od źródła zasilania.
4. Przed wymontowaniem żarówek pozostawić urządzenia na 20 minut, aby żarówki ostygły.
5. Wyjąć zbiornik odpływowy zgodnie z opisem przedstawionym w części Czyszczenie.
6. Wyjąć niesprawną lampę, delikatnie unosząc ją pionowo do góry, odłączając styki od oprawy lampy (patrz rys. 4 i 4a). Wymienić na kolorową lampę OPTIMYST, 12 V, 45 W z mocowaniem Gu5.3, o kącie światła 8° (do nabycia u naszych sprzedawców).
7. Ostrożnie włożyć dwa styki nowej żarówki w dwa otwory oprawy żarówki. Docisnąć dobrze żarówkę (Rys. 4 i 4a).
8. Zamontować zbiornik odpływowy, dyszę, zasobnik wody i palenisko.

## CZYSZCZENIE

**Ostrzeżenie** – Ustawić przełącznik „A” w pozycji wyłączenia (0) (Rys.10) i przed czyszczeniem odłączyć od zasilania.

Zalecamy czyszczenie następujących części co 2 tygodnie, szczególnie w przypadku twardej wody:

Zasobnik wody, zbiornik odpływowy, dysza, korek i uszczelka zasobnika, filtr powietrza.

Do czyszczenia należy używać łagodnego środka czyszczącego – nie wolno używać środków o właściwościach ściernych.

Aby usunąć kurz i kłaczki z kratki wylotowej wentylatora grzejnika, od czasu do czasu należy oczyścić ją odkurzaczem z założoną końcówką w postaci miękkiej szczotki.

### Zasobnik wody

1. Wyjąć zasobnik wody zgodnie z wcześniejszym opisem, umieścić w zlewie i wylać wodę.
2. Korzystając z dołączonej do urządzenia szczotki, delikatnie wytrzeć wewnętrzne powierzchnie korka, zwracając szczególną uwagę na gumowy pierścień w zewnętrznym rowku oraz na środkową gumową uszczelkę.
3. Wlać niewielką ilość płynu do naczyń do zasobnika, przykręcić korek i dobrze wstrząsnąć. Następnie płukać tak długo, aż zostaną dobrze wypłukane wszelkie pozostałości płynu do naczyń.
4. Nappełnić wyłącznie przefiltrowaną wodą kranową, przykręcić korek (nie dokręcać za mocno).

### Zbiornik odpływowy

1. Ustawić przełącznik „A” w pozycję wyłączenia (0).
2. Delikatnie unieść palenisko i ostrożnie położyć na podłodze.
3. Wyjąć zasobnik wody, podnosząc go do góry.
4. Odłączyć złącze elektryczne znajdujące się po prawej stronie zbiornika odpływowego (Rys. 5).
5. Odblokować klapki blokujące po prawej stronie, przekręcając o 90°. Dzięki temu można całkowicie wyjąć zbiornik odpływowy (Rys. 11).
6. Delikatnie unieść zbiornik, zwracając uwagę, aby utrzymać go poziomo i nie wylać wody. Umieścić zespół zbiornika w zlewie.
7. Zwolnić zaczepy blokujące zbiornika po lewej stronie, obracając je o 90°, a następnie wyjąć dyszę (Rys. 3).
8. Wyjąć przetwornik i ostrożnie odchylić zbiornik, jak pokazano na rysunku, tak aby woda wypłynęła ze zbiornika (Rys. 13).
9. Wlać niewielką ilość płynu do naczyń do zbiornika i za pomocą dostarczonej szczotki delikatnie wyczyścić wszystkie powierzchnie zbiornika oraz przetwornik wraz z metalowymi płytkami znajdującymi się w górnej przestrzeni z rowkami (Rys. 14).
10. Po wyczyszczeniu należy dokładnie przepłukać zbiornik odpływowy czystą wodą, aby usunąć wszelkie pozostałości płynu czyszczącego.
11. Wyczyścić dyszę szczotką i wypłukać wodą (Rys. 15).
12. Złożyć urządzenie, wykonując powyższe czynności w odwrotnej kolejności.

### Filtr powietrza

1. Delikatnie unieść palenisko i ostrożnie położyć na podłodze.
2. Delikatnie wysunąć do góry filtr powietrza z plastikowego uchwytu (Rys. 16).
3. Przepłukać delikatnie wodą w zlewie i przed zamontowaniem wytrzeć ręcznikiem papierowym.
4. Zamontować filtr, zwracając uwagę, aby wstępny czarny filtr był skierowany w stronę kominka.
5. Zamontować palenisko.

## Dodatkowe informacje

### OBSŁUGA POSPRZEDAŻNA

Gwarantujemy prawidłowe funkcjonowanie produktu w okresie dwóch lat od daty zakupu. W tym okresie zobowiązujemy się do bezpłatnej naprawy lub wymiany produktu (z wyjątkiem lat oraz w zależności od dostępności), pod warunkiem że został on zamontowany i jest używany zgodnie z niniejszą instrukcją. Prawa użytkownika zapewnione na mocy niniejszej gwarancji obowiązują niezależnie od praw statutowych, które w rezultacie nie są naruszone przez niniejszą gwarancję.

### RECYKLING



W przypadku produktów sprzedawanych na terenie Unii Europejskiej: nie należy wyrzucać zużytego urządzenia wraz z odpadami domowymi. Należy oddać je do utylizacji. Aby uzyskać informacje dotyczące recyklingu, skontaktuj się z odpowiednimi władzami lub sprzedawcą.

## PATENT / APLIKACJA PATENTOWA

Produkty linii Optymist są chronione jednym lub wieloma patentami i aplikacjami patentowymi:

Wielka Brytania GB 2402206, GB 2460259, GB 2460453, GB 2418014, GB 2465738, GB 2449925, GB 2465537, GB 2455277, GB1020534.2, GB1020537.5, GB1110987.3

Stany Zjednoczone: US 7967690, US 2010299980, US 2011062250, US 2008028648, US 13/167,042

Rosja: RU2008140317

Europa: EP 2029941, EP 2201301, EP 2315976, EP 1787063, EP07723217.1, EP11170434.2, EP 11170435.9

Chiny: CN 101883953, CN 200980128666.2, CN 101057105, CN 101438104

Australia: AU 2009248743, AU 2007224634

Kanada: CA 2725214, CA 2579444, CA 2645939

Międzynarodowa aplikacja patentowa: WO 2006027272

RPA: ZA 200808702

Meksyk: MX 2008011712

Korea: KR 20080113235

Japonia: JP 2009529649

Brazylia BR P10708894-9

Indie: IN 4122/KOLNP/2008

Nowa Zelandia: NZ 571900

## Rozwiązywanie problemów

Objaw	Przyczyna	Środki zaradcze
Nie uruchamia się efekt płomienia.	Niepodłączona wtyczka przewodu zasilającego.  Niski poziom wody.  Nieprawidłowo podłączona złączka niskonapięciowa (Rys. 5).  Moduł przetwornika nie jest prawidłowo umieszczony w zbiorniku odpływowym.	Sprawdzić, czy wtyczka jest dobrze podłączona do gniazda elektrycznego.  Sprawdzić, czy zasobnik wody jest napełniony i czy w zbiorniku odpływowym znajduje się woda.  Sprawdzić, czy złączka jest dobrze włożona (Rys. 5).  Sprawdzić, czy przetwornik jest prawidłowo umieszczony w wyprofilowanym zagłębieniu zbiornika.
Zbyt niski efekt płomienia.	Za niskie ustawienie pokrętki sterowania efektem płomienia (Rys. 10).  Metalowa płytka w przetworniku może być zabrudzona (Rys. 14).  Drut z modułu przetwornika znajduje się nad metalową płytką.	Zwiększyć poziom płomienia, obracając powoli w lewo pokrętkę sterowania „D” (Rys. 10).  Wyczyść metalową płytkę za pomocą dostarczonej miękkiej szczotki (Rys. 14). Procedurę krok po kroku można znaleźć w punkcie „Konserwacja”.  Skierować drut do tyłu zbiornika, zwracając uwagę, aby znajdował się na bocznym otworze wychodzącym ze zbiornika.
Nieprzyjemny zapach podczas używania urządzenia.	Bрудna lub stęchlą woda.  Stosowanie nieprzefiltrowanej wody kranowej.	Wyczyścić urządzenie zgodnie z opisem w punkcie Konserwacja.  Stosować wyłącznie przefiltrowaną wodę kranową.
Efekt płomienia ma za dużo dymu.	Za wysokie ustawienie efektu płomienia.	Obrócić pokrętkę sterowania efektem płomienia D w prawo, jednorazowo o około ¼ obrotu. Odczekać chwilę, aby generator płomienia wprowadził nowe ustawienie (Rys. 10).
Główne lampy nie działają i nie ma płomieni ani dymu.	W zasobniku wody nie ma wody.	Postępować zgodnie z instrukcjami podanymi w punkcie <b>Konserwacja</b> , „Napełnianie zasobnika wody”.  Sprawdzić, czy wtyczka jest włożona do gniazda elektrycznego oraz czy przełącznik „A” (rys. 10) znajduje się w położeniu włączenia (I).



## Введение

Внимательно прочитайте это руководство — оно содержит сведения о безопасной установке, использовании и техобслуживании прибора.

## Важная информация по технике безопасности

Для снижения риска воспламенения, поражения электрическим током и получения травм при использовании электроприборов необходимо соблюдать основные меры безопасности, в том числе:

### 1. ПЕРЕГРЕВ

**ВНИМАНИЕ!** Не накрывайте обогреватель во избежание перегрева. Не кладите на обогреватель ткань или одежду и не создавайте препятствия для циркуляции воздуха вокруг обогревателя. На обогревателе имеется предупреждающая надпись «НЕ НАКРЫВАТЬ».

### 2. ПОВРЕЖДЕНИЕ

Если прибор поврежден, перед тем как его устанавливать и эксплуатировать, обратитесь к поставщику. Во избежание опасных ситуаций обращайтесь для замены поврежденного шнура питания к производителю, агенту по сервисному обслуживанию или специалисту аналогичной квалификации.

### 3. РАЗМЕЩЕНИЕ

Не используйте прибор вне помещений.

Не используйте прибор в непосредственной близости от ванной комнаты, душа или бассейна.

Не располагайте прибор непосредственно под штепсельной розеткой или соединительной коробкой.

Убедитесь в том, что на расстоянии 1 м от обогревателя отсутствует мебель, шторы и другие горючие предметы.

Несмотря на то, что этот прибор соответствует нормам безопасности, мы не рекомендуем использовать его в помещениях, где уложено ковровое покрытие с длинным ворсом.

### 4. РАСПОЛОЖЕНИЕ ШТЕПСЕЛЬНОЙ ВИЛКИ

Прибор должен быть установлен так, чтобы сохранялся доступ к штепсельной вилке.

Следите за тем, чтобы шнур питания не оказался в зоне перед обогревателем.

### 5. ПРИМЕНЕНИЕ ДРУГИХ ЭЛЕМЕНТОВ УПРАВЛЕНИЯ

Не используйте этот обогреватель в сочетании с терморегулятором, программным контроллером, таймером или любым другим устройством, которое осуществляет автоматическое переключение в режим нагрева, поскольку возможно возгорание в случае случайного накрывания или смещения обогревателя.

### 6. ОТКЛЮЧЕНИЕ ОТ РОЗЕТКИ

В случае неисправности выньте вилку прибора из розетки.

Отсоединяйте прибор от розетки, если он не используется в течение длительного времени.

### 7. ВЛАДЕЛЕЦ/ПОЛЬЗОВАТЕЛЬ

Прибор не предназначен для использования детьми, а также людьми с ограниченными физическими, сенсорными и умственными способностями или недостатком опыта и знаний, за исключением случаев, когда они находятся под присмотром ответственного за их безопасность лица или прошли инструктаж по использованию прибора. Необходимо следить за детьми и не позволять им играть с прибором.

### 8. ЭЛЕКТРИЧЕСТВО

**ВНИМАНИЕ!** ПРИБОР ДОЛЖЕН БЫТЬ ЗАЗЕМЛЕН.

Обогреватель следует подключать только к источнику питания переменного тока, при этом напряжение должно соответствовать указанному на приборе.

Перед включением прибора ознакомьтесь с указаниями по безопасности и инструкцией по эксплуатации.

## Общая информация

Используйте в этом приборе только фильтрованную воду.

Прибор следует устанавливать только на ровной поверхности.

Несмотря на то, что этот обогреватель соответствует нормам безопасности, мы не рекомендуем использовать его в помещениях, где уложено ковровое покрытие с длинным ворсом.

Примечание. Если прибор используется в помещении с низким уровнем фонового шума, то можно услышать звук, создаваемый эффектом пламени. Это нормальное явление, которое не должно служить причиной для беспокойства.

Прибор может выключиться в ответ на скачок напряжения в сети. Это нормальное средство защиты; прибор возобновит работу через 30 секунд.

После установки нельзя перемещать и опрокидывать прибор, предварительно не слив воду из поддона и бака. Если прибор не будет использоваться в течение более 2 недель, слейте воду из поддона и бака и протрите поддон.

Бак для воды, поддон, крышку поддона, пробку бака и воздушные фильтры следует очищать каждые две недели, в особенности в регионах с жесткой водой.

Нельзя использовать прибор, если лампы не работают.

Лампы следует регулярно проверять, как описано в разделах «Техобслуживание» и «Замена ламп».

## Указания по установке

В этом разделе содержатся инструкции по установке и настройке камина.

### ПЕРЕД ЗАПУСКОМ

1. Убедитесь, что упаковка полностью снята (внимательно читайте все предупреждающие надписи). Сохраните всю упаковку на случай переезда в другое жилище, возврата прибора поставщику и т. п.
2. Перед подключением обогревателя убедитесь, что напряжение тока в сети соответствует значению, указанному на приборе.

#### Подключение преобразователя и ламп

1. Разблокируйте два красных фиксатора, повернув их на 90 градусов (рис. 2).
2. Извлеките насадку с поддоном (рис. 3).
3. Установите лампы в патроны (рис. 4), осторожно вставляя штыри в соответствующие разъемы (рис. 4а).
4. Надавите на каждую лампу, чтобы она стала на место.
5. Вставьте преобразователь в поддон и подключите кабель к разъему на поддоне (рис. 5).
6. Убедитесь, что преобразователь правильно расположен в поддоне: фиксатор преобразователя должен находиться в литом углублении поддона (рис. 5а).
7. Убедитесь, что кабель не проходит над диском преобразователя (рис. 5b). Чтобы кабель не попал между насадкой и поддоном, поместите его в паз в стенке поддона.
8. Установите насадку с поддоном на место и зафиксируйте ее, повернув два красных фиксатора на 90 градусов (рис. 6).

#### Заполнение бака для воды

9. Поставьте бак для воды в раковину и открутите пробку против часовой стрелки (рис. 7).
10. Наливайте в бак **только фильтрованную водопроводную воду**. Это продлит срок службы блока создания эффекта пламени и дыма. Воду следует фильтровать обычным бытовым фильтром для воды; регулярно заменяйте фильтр. Использовать дистиллированную воду **не** разрешается.
11. Закрутите пробку, **не перетягивая ее**.
12. Установите бак для воды на поддон, при этом пробка должна быть обращена вниз, а плоская сторона бака — наружу (рис. 8).

#### Сборка камина

13. Поставьте топочную корзину на бак для воды и насадку для создания тумана (рис. 9).

## Использование камина


Этот раздел содержит инструкции по включению камина с помощью элементов ручного управления или пульта ДУ.


### ЭЛЕМЕНТЫ РУЧНОГО УПРАВЛЕНИЯ


Элементы ручного управления прибора находятся под откидной крышкой. (Схему элементов ручного управления см. на рис. 10.)


Переключатель «А» управляет подачей питания на камин.


Примечание. Данный переключатель должен находиться в положении «ВКЛ» (I) для работы камина в режиме обогрева или без него.

Переключатель «В»: нажмите  один раз для включения эффекта пламени. Операция подтверждается звуковым сигналом. Хотя основные индикаторы загораются сразу же, для включения эффекта пламени требуется еще около 30 секунд.

Нажмите  еще раз для включения эффекта пламени и обогрева на половинной мощности. Операция подтверждается двумя звуковыми сигналами.

Нажмите  еще раз для включения эффекта пламени и обогрева на полной мощности. Операция подтверждается тремя звуковыми сигналами.

Нажмите  еще раз, чтобы оставить только эффект пламени. Операция подтверждается одиночным звуковым сигналом.

Нажмите  для переключения камина в режим ожидания. Операция подтверждается одиночным звуковым сигналом.

Регулятор «С» управляет настройкой термостата.

При вращении регулятора влево температура снижается, а при вращении вправо — повышается.

Регулятор «D» управляет интенсивностью эффекта пламени.

При вращении регулятора влево интенсивность увеличивается, а при вращении вправо — уменьшается.

### НАСТРОЙКА ТЕРМОСТАТА

Подключите камин к розетке и установите обогрев на полную мощность. Чтобы быстро нагреть помещение, поверните регулятор «С» до упора вправо (максимальная температура). Когда в помещении установится комфортная температура, медленно вращайте регулятор термостата назад до щелчка, свидетельствующего об отключении термостата. Обогреватель будет поддерживать температуру на выбранном уровне.

Примечание. Если при установке минимальной настройки обогреватель не включается, то, возможно, это обусловлено тем, что температура в помещении выше, чем температура, заданная для термостата.

### ТЕПЛОВОЙ ПЛАВКИЙ ПРЕДОХРАНИТЕЛЬ

Термопредохранитель, который встроен в тепловентилятор, предотвращает повреждение прибора вследствие перегрева. Это может произойти, если отвод тепла каким-то образом ограничен. В случае срабатывания предохранителя отсоедините прибор от розетки и снова включите его примерно через 10 минут. Перед повторным включением прибора устраните все препятствия для отвода тепла, затем установите обычный режим работы.

**Осторожно!** Во избежание повреждения, вызванного случайным отключением термопредохранителя, этот прибор не должен получать питание через внешнее переключающее устройство (например, таймер) и подключаться к сети, которая запрограммирована на регулярное включение и отключение.

### ПОЛУЧЕНИЕ ЖЕЛАЕМОГО ЭФФЕКТА ПЛАМЕНИ

1. Для достижения максимально реалистичного эффекта пламени вращайте регулятор «D» (рис. 10).
2. Как правило, пламя кажется более реалистичным, если регулятор пламени установлен в минимальное положение.
3. Генератору пламени требуется некоторое время для реакции на внесенные вами изменения.
4. Если эффект пламени установлен на низком уровне, камин будет потреблять меньше воды.
5. Нельзя наклонять и двигать камин, когда в баке или поддоне есть вода.
6. Камин следует устанавливать только на ровном полу.

### ИСПОЛЬЗОВАНИЕ ПУЛЬТА ДИСТАНЦИОННОГО УПРАВЛЕНИЯ

Для использования дистанционного управления выключатель «А» (рис. 10) на панели управления должен находиться в положении «ВКЛ» (I).

На пульте ДУ есть 3 кнопки. (Рис. 12.) Для правильной работы пульт ДУ следует направлять в сторону фасада каминной решетки (рис. 17.). Поддерживаются следующие функции ДУ:



Нажмите один раз, чтобы включить только эффект пламени.  
Операция подтверждается одиночным звуковым сигналом.



Нажмите один раз, чтобы включить обогрев на половинной мощности и эффект пламени.  
Операция подтверждается двумя звуковыми сигналами.  
Нажмите еще раз для включения обогрева на полной мощности и эффекта пламени.  
Операция подтверждается тремя звуковыми сигналами.



Ожидание  
Операция подтверждается одиночным звуковым сигналом.

## Техобслуживание

### ОБЩИЕ РЕКОМЕНДАЦИИ

Используйте в этом приборе только фильтрованную водопроводную воду.

Прибор следует устанавливать только на ровной поверхности.

Если прибор не будет использоваться в течение более 2 недель, снимите поддон и бак и слейте воду.

После установки нельзя перемещать и опрокидывать прибор, предварительно не слив воду из поддона и бака.

Нельзя использовать прибор, если лампы не работают.

Лампы следует регулярно проверять, как описано в разделе «Замена ламп».

### ЗАПОЛНЕНИЕ БАКА ДЛЯ ВОДЫ

Если бак для воды пуст, эффект пламени и дыма выключается и раздаются 2 звуковых сигнала. Следуйте приведенным указаниям:

1. Переведите выключатель «А» в положение **(0)** (рис. 10).
2. Аккуратно снимите топочную корзину и отложите ее в сторону.
3. Снимите бак для воды, приподняв и вытянув его наружу.
4. Поставьте бак для воды в раковину и открутите пробку против часовой стрелки (рис. 7).
5. Наливайте в бак **только фильтрованную водопроводную воду**. Это продлит срок службы блока создания эффекта пламени и дыма.

Воду следует фильтровать обычным бытовым фильтром для воды; регулярно заменяйте фильтр.

6. Закрутите пробку, не перетягивая ее.

7. Установите бак на поддон так, чтобы пробка была обращена вниз, а плоская сторона бака — наружу (рис. 8).

8. Осторожно установите топочную корзину на место (рис. 9).

9. Нажмите выключатель «А» в положение «ВКЛ» **(I)** (рис. 10).

### ЗАМЕНА ЛАМП

Если эффект пламени и дыма приобретает серый цвет или становится бесцветным, причиной этому может быть выход из строя одной или нескольких ламп.

Неисправность ламп можно выявить следующим образом.

1. Не выключая эффект пламени, поднимите топочную корзину и бак для воды.
2. Теперь вы можете видеть лампы с установленной насадкой и определить те, которые нуждаются в замене.
3. Переведите выключатель «А» в положение «ВЫКЛ» и отсоедините камин от сети.
4. Перед извлечением ламп дайте им остыть, оставив прибор на 20 минут.
5. Снимите поддон, как описано в разделе «Чистка».
6. Извлеките неисправную лампу, осторожно подняв ее вертикально и отсоединив штырьки от патрона (рис. 4 и 4а).

Замените неисправную лампу цветной лампой OPTIMYST номиналом 12 В, 45 Вт, с цоколем G5.3 и углом расхождения светового пучка 8°. (Лампы можно купить в магазине, где был приобретен прибор.)

7. Осторожно вставьте два штырька новой лампы в два отверстия в патроне. Вдавите лампу для плотной посадки (рис. 4 и 4а).
8. Снова установите поддон, насадку, бак для воды и топочную корзину.

## **ЧИСТКА**

**Внимание!** Обязательно переведите выключатель «А» в положение «ВЫКЛ» (0) (рис. 10) и отключите камин от сети, перед тем как приступить к его чистке.

Рекомендуем каждые 2 недели чистить следующие компоненты, особенно в регионах с жесткой водой:

Бак для воды, поддон, насадка, пробка и уплотнитель бака, воздушный фильтр.

Общая чистка выполняется мягкой, чистой тряпкой, ни в коем случае не используйте абразивные чистящие средства.

Для удаления скопления пыли или пуха и очистки вытяжной воздухораспределительной решетки вентилятора прибора периодически используйте насадку пылесоса в форме мягкой щетки.

### **Бак для воды**

1. Снимите бак для воды, как было описано ранее, поставьте его в раковину и слейте воду.
2. Прилагаемой щеткой аккуратно очистите внутренние поверхности пробки, уделяя особое внимание резиновому кольцу в наружной бороздке и центральному уплотнительному кольцу.
3. Капните немного жидкости для мытья посуды в бак, закройте пробку и хорошо встряхните, затем ополосните, удалив все остатки моющей жидкости.
4. Заливайте только фильтрованную водопроводную воду. Закручивайте пробку, не перетягивая ее.

### **Поддон**

1. Переведите выключатель «А» в положение «ВЫКЛ» (0).
2. Аккуратно снимите топочную корзину и поставьте ее на пол.
3. Снимите бак для воды, приподняв его вверх.
4. Отсоедините электрический разъем, расположенный с правой стороны поддона (рис. 5).
5. Разомкните правые фиксаторы поддона, повернув их на 90°. После этого можно полностью снять поддон (рис. 11).
6. Осторожно приподнимите поддон, удерживая его горизонтально, чтобы не пролить воду. Поместите весь узел в раковину.
7. Разомкните левые фиксаторы поддона, повернув их на 90°, и снимите насадку (рис. 3).
8. Снимите преобразователь и осторожно наклоните, как показано на рисунке, чтобы жидкость вытекла из поддона (рис. 13).
9. Капните немного жидкости для мытья посуды в поддон и прилагаемой щеткой аккуратно очистите все поверхности, а также преобразователь, включая металлические диски, расположенные на верхней поверхности с пазом (рис. 14).
10. После чистки тщательно ополосните поддон чистой водой, чтобы смыть остатки моющей жидкости.
11. Почистите насадку щеткой и тщательно промойте водой (рис. 15).
12. Сборка производится в обратном порядке.

### **Воздушный фильтр**

1. Аккуратно снимите топочную корзину и поставьте ее на пол.
2. Осторожно отодвиньте воздушный фильтр с пластикового держателя вверх (рис. 16).
3. Осторожно промойте фильтр водой в раковине и, прежде чем устанавливать на место, вытрите полотенцем.
4. Вставьте фильтр так, чтобы грубый фильтр черного цвета был обращен в сторону камина.
5. Установите топочную корзину на место.

## Дополнительная информация

### ПОСЛЕПРОДАЖНОЕ ОБСЛУЖИВАНИЕ

Гарантия на изделие действует в течение двух лет, начиная с даты его приобретения. На протяжении этого времени мы обязуемся бесплатно выполнять ремонт или замену изделия (кроме ламп, с учетом наличия деталей и изделий) при условии, что установка и эксплуатация выполнялись в соответствии с данными инструкциями. Ваши права по этой гарантии дополняют законные права потребителя и не ущемляют их.

### УТИЛИЗАЦИЯ



Для электроприборов, проданных на территории ЕС: приборы, выработавшие свой ресурс, не подлежат утилизации вместе с бытовыми отходами. Утилизация должна осуществляться в специально оборудованных местах. Для получения информации о правилах утилизации обращайтесь в местные органы власти или в магазин.

### ПАТЕНТЫ И ЗАЯВКИ НА ПОЛУЧЕНИЕ ПАТЕНТОВ

Изделия OptiMyst защищены одним или сразу несколькими патентами либо заявками на получение патентов:

Великобритания: GB 2402206, GB 2460259, GB 2460453, GB 2418014, GB 2465738, GB 2449925, GB 2465537, GB 2455277, GB1020534.2, GB1020537.5, GB1110987.3

США: US 7967690, US 2010299980, US 2011062250, US 2008028648, US 13/167042

Россия: RU 2008140317

Европа: EP 2029941, EP 2201301, EP 2315976, EP 1787063, EP 07723217.1, EP 11170434.2, EP 11170435.9

Китай: CN 101883953, CN 200980128666.2, CN 101057105, CN 101438104

Австралия: AU 2009248743, AU 2007224634

Канада: CA 2725214, CA 2579444, CA 2645939

Заявка на получение международного патента: WO 2006027272

Южная Африка: ZA 200808702

Мексика: MX 2008011712

Корея: KR 20080113235

Япония: JP 2009529649

Бразилия: BR P10708894-9

Индия: IN 4122/KOLNP/2008

Новая Зеландия: NZ 571900

## Устранение неисправностей

Признак	Причина	Способ устранения
Эффект пламени не включается.	<p>Вилка не вставлена в розетку.</p> <p>Низкий уровень воды.</p> <p>Неправильное подключение низковольтного разъема (рис. 5).</p> <p>Преобразователь неправильно вставлен в поддон.</p>	<p>Убедитесь в том, что вилка как следует вставлена в розетку.</p> <p>Проверьте, наполнен ли бак для воды и есть ли вода в поддоне.</p> <p>Убедитесь, что разъем подсоединен правильно (рис. 5).</p> <p>Убедитесь, что преобразователь установлен в литом углублении поддона.</p>
Эффект пламени слишком слабый.	<p>С помощью регулятора выбран слишком слабый эффект пламени (рис. 10).</p> <p>Возможно, загрязнен металлический диск преобразователя (рис. 14).</p> <p>Провод из преобразователя проходит над металлическим диском.</p>	<p>Увеличьте уровень пламени, медленно вращая регулятор «D» влево (рис. 10).</p> <p>Очистите металлический диск прилагаемой мягкой щеткой (рис. 14). См. пошаговую инструкцию в разделе «Техобслуживание».</p> <p>Направьте провод в заднюю часть поддона и вставьте его в боковое отверстие, ведущее из поддона.</p>
Неприятный запах при использовании прибора.	<p>Грязная или застоявшаяся вода.</p> <p>Использование нефilterованной воды.</p>	<p>Очистите прибор, как описано в разделе «Техобслуживание».</p> <p>Используйте только фильтрованную водопроводную воду.</p>
Эффект пламени дает слишком много дыма.	Установлен слишком сильный эффект пламени.	Поворачивайте регулятор пламени «D» вправо примерно на $\frac{1}{4}$ оборота за раз. Выждите некоторое время, чтобы генератор пламени отреагировал на изменение (рис. 10).
Основные лампы не горят, нет пламени или дыма.	В баке нет воды.	<p>Следуйте указаниям в разделах «Техобслуживание» и «Заполнение бака для воды».</p> <p>Убедитесь, что вилка правильно подсоединена к розетке, а выключатель «A» (рис. 10) находится в положении «ВКЛ» (I).</p>

## Úvod

Pečlivě si přečtěte informaci v této příručce, abyste mohli bezpečně instalovat, používat a udržovat svůj produkt.

## Důležitá bezpečnostní upozornění

Při použití elektrických zařízení je nutné vždy dodržovat základní bezpečnostní opatření a snížit tak riziko požáru, úrazu elektrickým proudem a zranění osob, včetně následujících:

### 1. PŘEHŘÁTÍ

**VAROVÁNÍ:** Topné těleso nezakrývejte, aby nedošlo k jeho přehřátí. Na topné těleso nepokládejte materiály nebo oděv a neblokujte oběh vzduchu okolo topení. Toto topné těleso je vybaveno varováním NEZAKRÝVAT.

### 2. POŠKOZENÍ.

Pokud je spotřebič poškozen, informujte dodavatele, ještě před instalací a uvedením zařízení do provozu.

Pokud je napájecí kabel poškozený, musí být vyměněn výrobcem nebo jeho servisním zástupcem nebo podobně kvalifikovanou osobou, aby se předešlo možnému riziku.

### 3. UMÍSTĚNÍ

Nepoužívejte zařízení ve venkovním prostředí.

Nepoužívejte v bezprostřední blízkosti koupelny, sprchy nebo plaveckého bazénu.

Topné těleso neumísťujte přímo pod elektrickou zásuvku nebo svorkovou skříňku.

V blízkosti menší než 1 metr od topného tělesa nesmí být umístěn nábytek, záclony či jiný hořlavý materiál.

I když toto topné těleso vyhovuje bezpečnostním standardům, nedoporučujeme používat jej na kobercích s dlouhým vlasem nebo předložkách s dlouhým vlasem.

### 4. UMÍSTĚNÍ ZÁSTRČKY

Zařízení musí být umístěno tak, aby byla zástrčka přístupná.

Zástrčka se nesmí nacházet před topným tělesem.

### 5. POUŽÍVÁNÍ JINÝCH OVLADAČŮ

Toto topné těleso nepoužívejte zapojené v sérii spolu s tepelnou pojistkou, programovatelným ovladačem, časovačem nebo jakýmkoliv jiným zařízením, které automaticky zapíná topení, je nutné postupovat opatrně a s rozvahou, jelikož při náhodném zakrytí či přemístění topného tělesa hrozí nebezpečí požáru.

### 6. ODPOJENÍ

V případě poruchy zařízení odpojte od napájení.

Odpojte zařízení, pokud jej dlouhodobě nepoužíváte.

### 7. VLASTNÍK/UŽIVATEL

Toto zařízení není určeno k obsluze osobami, včetně dětí, které mají snížené fyzické, senzomotorické či mentální schopnosti nebo nedostatek zkušeností a znalostí obsluhy, pokud nejsou pod dozorem nebo nedostávají pokyny ohledně obsluhy zařízení od osoby, která je odpovědná za jejich bezpečí. Děti by měly být pod dozorem, aby se zajistilo, že si se zařízením nemohou hrát.

### 8. ELEKTRICKÁ ENERGIE

**VÝSTRAHA – ZAŘÍZENÍ MUSÍ BÝT UZEMNĚNO.**

Toto topné těleso musí být připojeno pouze na střídavý proud a napětí uvedené na topném tělese musí odpovídat napájecímu napětí. Před zapnutím si přečtěte bezpečnostní upozornění a provozní pokyny.

## Obecné informace

V tomto přístroji používejte pouze filtrovanou vodu.

Vždy zajistěte, aby zařízení stálo na rovném povrchu.

I když toto topné těleso vyhovuje bezpečnostním standardům, nedoporučujeme používat jej na kobercích s dlouhým vlasem nebo předložkách s dlouhým vlasem.

**Poznámka:** Při použití v prostředí, kde je velmi nízká zvuková kulisa, může být možné, že uslyšíte zvuk efektu hořícího paliva. To je normální a nemělo by být považováno za poruchu.

Pokud z jakéhokoliv důvodu do produktu vejde napěťový ráz, může se vypnout. Jedná se o běžnou bezpečnostní funkci a produkt obnoví činnost po 30 sekundách.

Produkt po instalaci nikdy nepřesunujte ani nepokládejte na záda, ledaže byste odstranili vodu z jímky a vodní nádržky. Pokud nebudete produkt používat déle než 2 týdny, odstraňte vodu z jímky a vodní nádržky a jímku vysušte.

Nádržka na vodu, jímka, víčko jímky, uzávěr nádržky a vzduchové filtry se musí čistit každé dva týdny, zejména je-li voda tvrdá.

Přístroj byste neměli používat, pokud nefungují žárovky.

Žárovky by měly být pravidelně prohlíženy, jak je popsáno v částech „Údržba“ a „Výměna žárovek“.

## Pokyny k instalaci

Tato část popisuje nastavení topení.

### NEŽ ZAČNETE

1. Přesvědčte se, zda je odstraněn všechen balící materiál (pečlivě si přečtete všechny varovné značky) a uschovejte jej pro budoucí použití, např. pokud se budete stěhovat nebo budete přístroj vracet dodavateli.
2. Před připojením přístroje topného tělesa zkontrolujte, zda napájecí napětí odpovídá hodnotě uvedené na tělese.

#### Připojení jednotky převodníku + žárovek

1. Uvolněte dva červené štítky otočením o 90 stupňů (obr. 2).
2. Zvedněte trysku jímky (obr. 3).
3. Vložte žárovky do držáků (obr. 4) a pečlivě umístěte kolíky do otvorů (obr. 4a).
4. Zatlačte žárovky jemně na místo.
5. Umístěte jednotku převodníku do jímky a připojte kabel ke konektoru na jímce (obr. 5).
6. Aby jednotka převodníku byla správně umístěna v jímce, štítek na jednotce převodníku musí být zarovnan s tvarovanými zahlobenými v jímce (obr. 5a).
7. Kabely nesmí být umístěny nad diskem na jednotce převodníku (obr. 5b). Aby nedošlo k přiskřípnutí kabelů mezi tryskou a jímkou, vložte kabel do otvoru ve stěně jímky.
8. Nasadte trysku jímky a zabezpečte ji otočením dvou červených štítků o 90 stupňů (obr. 6).

#### Plnění nádržky na vodu

9. Dejte nádržku do umyvadla a odstraňte uzávěr (otočit proti směru hodinových ručiček) (obr. 7).
10. Naplňte nádržku **jen filtrovanou vodou z kohoutku**. Je to nezbytné pro prodloužení životnosti jednotky vytvářející plamen a kouř. Voda by měla být přefiltrována přes obvyklý domácí filtr na vodu a filtr by měl být pravidelně vyměňován. Nelze používat **destilovanou** vodu.
11. Našroubujte uzávěr zpět - **nepřekroutit**.
12. Umístěte nádržku na vodu do jímky, uzávěr nádržky musí směřovat dolů a plochá strana nádrže musí směřovat ven (obr. 8).

#### Montáž topení

13. Položte palivové lůžko na nádržku na vodu a rozprašovací trysku (obr. 9).

## Ovládání topení


V této části se dozvíte, jak ovládat vaše topení pomocí ručních ovladačů nebo dálkového ovladače.

### RUČNÍ OVLADAČE


Ruční ovladače jsou umístěny pod sklopnou klapkou. (Rozvržení ručních ovladačů viz obr. 10.)


Přepínač „A” - Ovládá dodávku elektrické energie do topení.

Poznámka: Tento přepínač musí být v poloze „ZAP” (Ia topení bude fungovat s dodávkou tepla nebo bez něj).

Přepínač „B”:- Jedním  stisknutím zapnete efekt hořícího paliva. Bude indikováno slyšitelným pípnutím. I když napájení funguje okamžitě, bude trvat přibližně 30 sekund, než se efekt hořícího paliva projeví.

Stiskněte  znovu a efekt hořícího paliva bude poloviční. Bude indikováno dvěma pípnutími.

Stiskněte  znovu a efekt hořícího paliva bude úplný. Bude indikováno třemi pípnutími.

Stiskněte  znovu a efekt hořícího paliva se vrátí zpět. Bude indikováno jedním pípnutím.

Stiskněte  a topení se přepne do pohotovostního režimu. Bude indikováno jedním pípnutím.

Otočný ovladač 'C':- Ovládá nastavení termostatu.

Otočením ovladače doleva snížíte nastavení teploty, otočením ovladače doprava zvýšíte teplotu.

Otočný ovladač 'D':- Ovládá intenzitu efektu hořícího paliva.

Otočením ovladače doleva zvýšíte efekt hořícího paliva, otočením ovladače doprava snížíte efekt hořícího paliva.

### NASTAVENÍ TERMOSTATU

Zástrčka topení musí být zasunuta do sítě a musí být zapnut plný ohřev. Otočením ovladače „C” úplně doprava (nastavení maximální teploty) rychle zahřejete místnost. Jakmile teplota místnosti dosáhne požadované úrovně, otočte ovladačem termostatu pomalu zpět, dokud neuslyšíte zaklapnutí. Topné těleso pak bude udržovat pokojovou teplotu na zvolené úrovni.

Poznámka: Pokud se topné těleso nezapne, když je termostat nastavený na nízký výkon, může být příčinou to, že teplota místnosti je vyšší než teplota nastavená na termostatu.



## TEPELNÁ BEZPEČNOSTNÍ POJISTKA

Ve ventilátoru topného tělesa je tepelná bezpečnostní pojistka, která zabraňuje přehřátí. Může k tomu dojít, pokud je výstup topení nějakým způsobem zablokován. Pokud pojistka funguje, odpojte topné těleso od přívodu a vyčkejte 10 minut, než jej znovu zapojíte. Před dalším zapnutím topného tělesa odstraňte všechny překážky, které by mohly blokovat výstupní mřížku, pak pokračujte v normálním provozu.

**Upozornění:** Jako prevence proti nebezpečí neúmyslné změny nastavení tepelné pojistky nesmí být toto zařízení napájeno prostřednictvím externích spínacích zařízení (např. časovačů) a nesmí být připojeno ke spínači, který takové zařízení pravidelně zapíná a vypíná.

## ZÍSKÁNÍ POŽADOVANÉHO EFEKTU HOŘÍČÍHO PALIVA

1. Otočný ovladač plamene „D” (obr. 10) může být otočen nahoru nebo dolů pro realističtější efekt.
2. Plameny jsou obecně realističtější, je-li ovladač plamene otočen dolů.
3. Nechejte generátor plamene přizpůsobit se provedeným změnám.
4. Topení spotřebuje méně vody, jestliže je efekt hořícího paliva nastaven na nižší úroveň.
5. Nenaklánějte ani nepřesunujte topení, je-li v nádrži nebo jímce voda.
6. Topení musí stát na rovné podlaze.

## OVLÁDÁNÍ DÁLKOVÉHO OVLADAČE

Přepínač A (obr. 10) na ovládacím panelu musí být v poloze „ZAP” ( I ), aby mohl dálkový ovladač fungovat.

Na dálkovém ovladači jsou 3 tlačítka (obr.12). Dálkový ovladač musí být namířen na přední část ohniště, aby fungoval dobře (obr. 17). Dálkový ovladač funguje následovně:



Jedním stisknutím zapnete pouze efekt hořícího paliva  
Bude indikováno jedním pípnutím.



Jedním stisknutím zapnete poloviční efekt hořícího paliva.  
Bude indikováno dvěma pípnutími.  
Jedním stisknutím zapnete plný efekt hořícího paliva.  
Bude indikováno třemi pípnutími.



Pohotovostní režim  
Bude indikováno jedním pípnutím.

## Údržba

### VŠEOBECNÉ POKYNY

V tomto přístroji používejte pouze filtrovanou kohoutkovou vodu.

Vždy zajistěte, aby zařízení stálo na rovném povrchu.

Pokud nebudete přístroj používat déle než 2 týdny, vyjměte a vyprázdněte jímku a nádržku na vodu.

Produkt po instalaci nikdy nepřesunujte ani nepokládejte na záda, ledaže byste odstranili vodu z jímky a vodní nádržky. Přístroj byste neměli používat, pokud nefungují žárovky.

Žárovky by měly být pravidelně prohlíženy, jak je popsáno v části „Výměna žárovek”.

### PLNĚNÍ NÁDRŽKY NA VODU

Je-li nádržka na vodu prázdná, efekt hořícího paliva a kouře se vypne a vy uslyšíte 2 pípnutí, postupujte následovně.

1. Stiskněte přepínač „A” na (0) (obr. 10).
  2. Jemně zvedněte palivové lůžko a opatrně je položte stranou.
  3. Vyjměte nádržku na vodu zvednutím nahoru a ven.
  4. Vložte nádržku na vodu do umyvadla a odstraňte uzávěr, otočte proti směru hodinových ručiček (obr. 7).
  5. Nádržku naplňte **jen filtrovanou vodou z kohoutku**. Je to nezbytné pro prodloužení životnosti jednotky vytvářející plamen a kouř.
- Voda by měla být přefiltrována přes obvyklý domácí filtr na vodu a filtr by měl pravidelně vyměňován.
6. Našroubujte uzávěr zpět, nepřekroutit.
  7. Umístěte nádržku do jímky, uzávěr nádržky musí směřovat dolů a plochá strana nádrže musí směřovat ven (obr. 8).
  8. Palivové lůžko jemně položte na místo (obr. 9).
  9. Stiskněte přepínač „A” polohy „ZAP” (I) (obr. 10).

### VÝMĚNA ŽÁROVEK

Pokud jsou efekty hořícího paliva a kouře šedé či bezbarvé, jedna či více lamp nefunguje.

Vadnou lampu zjistíte následovně.

1. Efekt hořícího paliva nechejte zapnutý, zvedněte palivové lůžko a nádržku na vodu.
2. Měli byste vidět žárovky s tryskou na místě, zkontrolujte, kterou je třeba vyměnit.
3. Přepněte přepínač „A” do polohy „VYP” a odpojte kabel z napájení.
4. Nechejte vychladnout žárovky v přístroji po dobu 20 minut, než je vyjmete.

5. Vyjměte jímku dle popisu v části Čištění.
6. Vyjměte vadnou žárovku tak, že ji jemně zdvihnete ve vertikálním směru a uvolníte kolíky z držáku žárovky (obr. 4 a 4a). Nasaďte žárovku OPTIMYST, 12V, 45W, základna Gu 5.3, úhel paprsku 8°, barevná žárovka (zakoupeno od našeho dodavatele).
7. Opatrně vložte dva kolíky z nové žárovky do dvou otvorů v držáku. Jemně zatlačte na místo (obr. 4 a 4a).
8. Vložte jímku, trysku, nádržku na vodu a palivové lůžko.

## ČIŠTĚNÍ

**Upozornění** – Vždy stiskněte přepínač „A“ do polohy „VYP“ (0) (obr. 10) a odpojte topení z napájení, abyste jej mohli vyčistit.

Následující části doporučujeme čistit každé 2 týdny, zejména v oblastech s tvrdou vodou:-

Nádržka na vodu, jímka, tryska, uzávěr a těsnění nádržky, vzduchový filtr.

Pro obecné čištění použijte měkký hadr – nikdy nepoužívejte abrazivní čisticí prostředky.

Z mřížky výstupního otvoru ventilátoru topného tělesa byste měli občas odstranit nahromaděný prach a usazeniny jemným kartáčem vysavače.

### Nádržka na vodu

1. Vyjměte nádržku na vodu dle popisu níže, vložte do umyvadla a vylijte vodu.
2. Přiloženým kartáčem jemně vyčistěte vnitřní povrchy uzávěru a speciální pozornost věnujte gumovému prstenci ve vnitřní drážce a středovému gumovému těsnění.
3. Do nádržky nalijte malé množství mycího prostředku, nasaďte uzávěr a dobře zatřepte, pak vyplachujte, až se odstraní všechny stopy mycího prostředku.
4. Naplňte jen filtrovanou vodou z kohoutku, nasaďte uzávěr, nepřekroutit.

### Jímka

1. Stiskněte přepínač „A“ do polohy „VYP“ (0).
2. Jemně zvedněte palivové lůžko a opatrně jej položte na zem.
3. Vyjměte nádržku na vodu zvednutím nahoru.
4. Odpojte elektrický konektor umístěný na pravé straně jímky (obr. 5).
5. Uvolněte pravé uzamykací štítky jímky otočením o 90°. Jímka pak může být kompletně zvednuta ze svého místa (obr. 11).
6. Jemně zvedněte jímku a věnujte pozornost hladině, aby nedošlo k vylití vody. Vložte do umyvadla.
7. Uvolněte levé uzamykací štítky jímky otočením o 90°, pak zvedněte trysku (obr. 3).
8. Zvedněte převodník a opatrně nakloňte, aby kapalina vytekla z jímky.(obr. 13).
9. Do jímky nalijte malé množství mycího prostředku, přiloženým kartáčem jemně vyčistěte všechny povrchy v jímce a jemně vyčistěte převodník včetně kovových disků umístěných v horním drážkovaném povrchu (obr. 14).
10. Po vyčištění jímky důkladně vypláchněte čistou vodou, abyste odstranili všechny stopy mycího prostředku.
11. Vyčistěte trysku kartáčem a důkladně vypláchněte vodou. (obr. 15).
12. Demontáž provádějte dodržováním výše uvedených kroků v opačném pořadí.

### Vzduchový filtr

1. Jemně zvedněte palivové lůžko a opatrně jej položte na zem.
2. Jemně vysuňte vzduchový filtr nahoru z plastového držáku (obr. 16).
3. Jemně opláchněte vodou v umyvadle a před vložením zpět vysušte ručníkem.
4. Nasaďte filtr tak, aby hrubý černý filtr směřoval směrem dopředu k topení.
5. Nasaďte palivové lůžko.

## Dodatečné informace

### POPRODEJNÍ SERVIS

Na váš produkt je poskytována záruka dva roky od data prodeje. V této lhůtě se zavazujeme provádět opravy a výměnu tohoto produktu zdarma (vyjma žárovek & prvků dostupnosti) za předpokladu, že byl instalován a provozován ve shodě s těmito pokyny. Vaše práva podle této záruky stojí vedle osobnostních práv, které nejsou touto zárukou ovlivněny.

### RECYKLACE



Pro elektrické produkty prodávané v Evropském společenství - Na konci životnosti elektrických produktů nesmí být vyhazován do domovního odpadu. Odevzdejte přístroj specializované sběrně (je-li k dispozici). U svého místního úřadu či prodejce zjistěte informace o recyklaci ve vaší zemi.

## PATENT / PŘIHLÁŠKA K PATENTU

Produkty v řadě Optimyst jsou chráněny jedním či několika následujícími patenty a patentovými přihláškami:

Velká Británie GB 2402206, GB 2460259, GB 2460453, GB 2418014, GB 2465738, GB 2449925, GB 2465537, GB 2455277, GB1020534.2, GB1020537.5, GB1110987.3

USA US 7967690, US 2010299980, US 2011062250, US 2008028648, US 13/167,042

Rusko RU2008140317

Evropa EP 2029941, EP 2201301, EP 2315976, EP 1787063, EP07723217.1, EP11170434.2, EP 11170435.9

Čína CN 101883953, CN 200980128666.2, CN 101057105, CN 101438104

Austrálie AU 2009248743, AU 2007224634

Kanada CA 2725214, CA 2579444, CA 2645939

Přihláška k mezinárodnímu patentu WO 2006027272

Jižní Afrika ZA 200808702

Mexiko MX 2008011712

Korea KR 20080113235

Japonsko JP 2009529649

Brazílie BR P10708894-9

Indie IN 4122/KOLNP/2008

Nový Zéland NZ 571900

### Odstraňování potíží

Příznak	Příčina	Náprava
Efekt hořícího paliva se nespustí.	Zástrčka není zapojena.  Nízká hladina vody.  Konektor nízkého napětí není správně zapojen (obr. 5).  Jednotka převodníku není správně umístěna na jímce	Zkontrolujte, zda je zástrčka správně zasunuta do zdi.  Zkontrolujte, zda je nádržka na vodu plná a v jímce je voda.  Zkontrolujte, zda je konektor správně zapojen (obr. 5).  Převodník musí být správně umístěn směrem dolů na tvarované zahloubení v jímce
Efekt hořícího paliva je příliš nízký.	Otočný ovladač efektu hořícího paliva je nastaven příliš nízkou (obr. 10).  Kovový disk v převodníku může být zašpiněn (obr. 14).  Drát z jednotky převodníku je umístěn na kovovém disku	Zvyšte úroveň plamene pomalým otočením ovladače „D” doprava (obr. 10).  Kovový disk čistěte přiloženým jemným kartáčem (obr. 14). Postup krok po kroku viz „Údržba”.  Nasměrujte drát dozadu do jímky a přesvědčte se, zda je umístěn v bočním otvoru vedoucím z jímky.
Při používání jednotky je cítit nepříjemný zápach.	Špinavá nebo zatuchlá voda.  Používání nefiltrované kohoutkové vody.	Jednotku čistěte dle návodu v části Údržba.  Používejte jen filtrovanou vodu z kohoutku.
Efekt hořícího paliva má příliš mnoho kouře.	Efekt hořícího paliva je nastaven příliš vysoko.	Ovladač „D” efektu hořícího paliva otočte najednou doprava o ¼ otáčky. Po nějaký čas nechejte generátor hořícího paliva přizpůsobit se novému nastavení (obr. 10).
Hlavní žárovky nefungují a nejsou plameny ani kouř.	V nádržce není žádná voda.	Postupujte podle pokynů v části <b>Údržba</b> , „Plnění nádržky na vodu”.  Zkontrolujte, zda je zástrčka správně zasunuta do zásuvky ve zdi, a zda je přepínač „A” (obr. 10) v poloze „ZAP” (I).

## Įvadas

Atidžiai perskaitykite šį informacinį vadovą, kad galėtumėte saugiai įdėti, naudoti ir išlaikyti savo pirkinį.

## Svarbi informacija apie saugą

Norėdami sumažinti gaisro, elektros smūgio ir asmenų sužeidimo riziką, naudodami elektrinius prietaisus laikykitės pagrindinių atsargumo priemonių, įskaitant šias:

### 1. PERKAITINIMAS

ĮSPĖJIMAS! Jei norite, kad šildytuvas neperkaistų, neuždenkite jo. Nedėkite medžiagų ar drabužių ant šildytuvo ir netrukdykite orui cirkuliuoti aplink šildytuvą. Ant šildytuvo yra įspėjimas NEUŽDENGTI.

### 2. PAŽEIDIMAS.

Jei prietaisas pažeistas, prieš montavimą ir naudojimą kreipkitės į tiekėją.

Jei maitinimo laidas pažeistas, gamintojas, priežiūros atstovas ar panašios kvalifikacijos asmuo turi jį pakeisti, kad būtų išvengta pavojaus.

### 3. VIETA

Nenaudokite prietaiso lauke.

Nenaudokite prietaiso šalia vonios, dušo arba baseino.

Nestatykite šildytuvo po kištukiniu lizdu arba jungimo bloku.

Įsitinkite, kad baldai, užuolaidos ir kitos degios medžiagos yra ne arčiau kaip 1 metras nuo šildytuvo.

Nors šildytuvas atitinka saugos standartus, nerekomenduojama jį naudoti ant tankaus pūko kilimų arba ilgo plauko rūšies patiesalų.

### 4. JUNGTIES PADĖTIS

Prietaisas turi būti pastatytas taip, kad būtų galima pasiekti maitinimo lizdą.

Neleiskite, kad maitinimo laidas būtų šildytuvo priekyje.

### 5. KITŲ VALDIKLIŲ NAUDOJIMAS

Nenaudokite šildytuvo, sujungto nuosekliai su šilumos reguliatoriumi, programos valdikliu, laikmačiu ar koku kitu įtaisu, kuris automatiškai įjungia šildytuvą, nes atsiranda gaisro pavojus netyčia uždengus ar perkėlus šildytuvą.

### 6. IŠJUNGIMAS

Jei prietaisas įjungiamas neteisingai.

Išjunkite prietaisą kai jis nereikalingas ilgiems laikotarpiams.

### 7. SAVININKAS (NAUDOTOJAS)

Šis prietaisas neskirtas naudoti vaikams ar žmonėms su mažesniais fiziniiais, sensoriniais ar mentaliniais pajėgumais, arba žmonėms, kuriems trūksta patirties ar žinių, nebent, asmuo, atsakingas už jų saugumą, jiems būtų suteikęs priežiūrą arba instrukcijas, susijusias su šio prietaiso naudojimu. Prižiūrėkite vaikus, kad jie nežaistų su prietaisu.

### 8. ELEKTRA

ĮSPĖJIMAS: ŠĮ PRIETAISĄ REIKIA ĮŽEMINTI.

Šildytuvas turi būti naudojamas tik esant kintamosios srovės maitinimui ir ant šildytuvo pažymėta įtampa turi atitikti maitinimo tinklo įtampą.

Prieš įjungdami perskaitykite saugumo patarimus ir veikimo instrukcijas.

## Bendra informacija

Šiam įrenginiui naudokite tik filtruotą vandenį.

Visada įsitinkite, kad įrengimas stovi ant lygaus paviršiaus.

Nors šildytuvas atitinka saugos standartus, nerekomenduojama jį naudoti ant tankaus pūko kilimų arba ilgo plauko rūšies patiesalų.

Pastaba: jei naudojate aplinkoje, kur labai mažas aplinkos triukšmas, galite girdėti garsą, sklindantį dėl veikiančio liepsnos efekto įrenginio. Tai yra įprasta ir dėl to nereikia rūpintis.

Jei šis įrenginys dėl kokių nors priežasčių patiria energijos viršįtampį, jis gali išsijungti. Tai įprastas saugumo nustatymas ir produktas vėl pradės veikti po 30 sekundžių.

Sumontavę įrengimą, nesiremkite ant jo nugaros, nenuleidę vandens iš talpyklos ir vandens bako.

Jei ketinate nenaudoti įrengimo ilgiau nei 2 savaites, išleiskite vandenį iš bako ir talpyklos iš išsausinkite talpyklą.

Vandens bakas, talpykla, bako dangtelis ir oro filtrai turi būti valomi kartą per dvi savaites, ypač tose vietovėse, kur yra kietas vanduo.

Įrengimo negalima naudoti jeigu neveikia lempos.

Lempos turi būti reguliariai tikrinamos taip, kaip aprašyta skyriuose „Priežiūra“ ir „Lempų keitimas“.

## Montavimo instrukcijos

Šiame skyriuje aprašoma kaip įjungti krosnelę.

### PRIEŠ PRADEDANT

1. Užtikrinkite, kad visos pakuotės dalys būtų nuimtos (atidžiai skaitykite įspėjamuosius ženklus) ir pasilikite pakuotė jei jos prireiktų ateityje, pav. jei kraustytumėtės arba grąžintumėte įrengimą tiekėjui.
2. Prieš įjungdami įrengimą, patikrinkite ar elektros įtampa yra tokia pat kaip nurodyta ant šildytuvo.

### Keitiklio pajungimas + Lempos

1. Atlaisvinkite dvi raudonas kilpeles pasukdami jas 90 laipsnių (2 pav.).
2. Paklekite taplyklos antgalį (3 pav.).
3. Įdėkite lempas į lempų laikiklius (4 pav.), atsargiai įstatydami kaiščius į skyles (4a pav.).
4. Tvirtai pastumkite lempas į vietą.
5. Įdėkite keitiklį į talpyklą ir sujunkite kabelį su talpyklos jungikliu (5 pav.).
6. Norint įsitikinti, kad keitiklis būtų teisingai įstatytas į talpyklą, kilpelė ant keitiklio turi būti paruošta su suformuotu mažėjimu talpykloje (5a pav.).
7. Užtikrinkite, kad laidas nebūtų po disku ant keitiklio (5b pav.). Siekiant išvengti, kad laidas nebūtų sugnybtas tarp antgalio ir talpyklos, padėkite laidą į plyšį, esantį talpyklos sienoje.
8. Pakeiskite talpyklos antgalį ir užtvirtinkite jį pasukdami dvi raudonas kilpeles 90 laipsnių kampu (6 pav.).

### Vandens bako pripildymas

9. Padėkite vandens baką į praustuvę ir nuimite dangtelį (kad atidarytumėte, pasukite prieš laikrodžio rodyklę) (7 pav.).
10. Pripildykite vandens baką **tik filtruoto vanduo iš krano**. Būtina pailginti ugnį ir dūmus gaminančio skyriaus gyvavimo laikotarpį. Vanduo turi būti filtruotas per paprastą vandens filtrą, o filtras turi būti reguliariai keičiamas. Distiliuotas vanduo **neturi būti** naudojamas.
11. Vėl užsukite dangtelį – **per daug neperveržkite**.
12. Padėkite vandens baką į talpyklą taip, kad bako dangtelis būtų nukreiptas žemyn, o plokščioji bako pusė būtų nukreipta į išorę (8 pav.).

### Krosnelės surinkimas

13. Padėkite degalų stovą ant vandens bako ir miglos purkštuko viršaus (9 pav.).

## Krosnelės veikimas


Šiame skyriuje aprašoma kaip įjungti krosnelę naudojantis rankiniu valdymu arba valdymo pulteliu.


### RANKINIS VALDYMAS


Rankinis valdymas yra po atlenkiama sklende. (Rankinio valdymo schema 10 pav.).


„A“ jungiklis:- Valdo elektros tiekimą į Krosnelę.


Pastaba: Šis jungiklis turi būti „JUNGTAS“ ( I ) Krosnelės padėtis, kad ji veiktų su šildymu arba be jo.

„B“ jungiklis:- Paspausti  vieną kartą, norint įjungti liepsnos efektą. Tai nurodys vienas pyptelėjimas. Nors pagrindinės lempos veikia iš karto, užtruks dar 30 sekundžių kol įsijungs liepsnos efektas.

Vėl paspauskite , kad įsijungtų liepsnos efektas ir pusinis šildymas. Tai nurodys du pyptelėjimai.

Vėl paspauskite , kad įsijungtų liepsnos efektas ir pilnas šildymas. Tai nurodys trys pyptelėjimai.

Vėl paspauskite , kad įsijungtų tik liepsnos efektas. Tai nurodys vienas pyptelėjimas.

Vėl paspauskite , kad nustatymėte krosnelę į atsarginį režimą. Tai nurodys vienas pyptelėjimas.

Valdymo rankenėlė „C“:- Valdo Termostato nustatymus.

Pasukus valdymo rankenėlę į kairę, pakils temperatūros nustatymai. Pasukus valdymo rankenėlę į dešinę, padidės temperatūros nustatymai.

Valdymo rankenėlė „D“:- Valdo liepsnos efekto intensyvumą.

Pasukus valdymo rankenėlę į kairę, padidėja liepsnos efektas. Pasukus valdymo rankenėlę į dešinę, liepsnos efektas sumažėja.

### TERMOSTATO NUSTATYMAS

Įsitinkite, kad krosnelė yra įjungta ir nustatykite pilną šildymo nustatymą. Valdymo rankenėlę „C“ pasukite pilnai į dešinę (maksimalus temperatūros nustatymas), norėdami greitai prišildyti patalpą. Kai patalpos temperatūra pasiekia norimą lygį, iš lėto sukite termostato rankenėlę atgal, kol išgirsite, kad termostatos tiesiog išsijungia. Tada šildytuvai palaikys pasirinktą kambario temperatūrą.

Pastaba: Jei jūsų šildytuvai neįsijungia kai termostato nustatymai yra žemi, tai gali būti dėl to, kad kambario temperatūra yra aukštesnė nei termostato nustatymai.

## ŠILUMINĖS SAUGOS IŠJUNGIMAS

Kad būtų išvengta pažeidimų dėl perkaitimo, šildytuve yra šiluminės saugos išjungimas. Tai gali atsitikti, jei šildymo išvadas buvo kokių nors būdu apribotas. Jei veikia išjungimo funkcija, atjunkite šildytuvą iš lizdo ir palikite maždaug 10 minučių prieš įjungdami iš naujo. Prieš vėl įjungdami šildytuvą, pašalinkite visas kliūtis, galinčias riboti šilumos išleidimą, tada tęskite įprastą operaciją.

**Perspėjimas:** Siekiant išvengti pavojaus dėl neapdairaus šiluminės saugos išjungimo nustatymo, šis prietaisas neturi būti pristatomas per išorinį jungimo įrenginį, kaip kad laikmatis, arba pajungtas į jungiklį, kuris, taupymo sumetimais, būna reguliariai įjungiamas ir išjungiamas.

## PAGEIDAUJAMO LIEPSNOS EFEKTO IŠGAVIMAS

1. Liepsnos valdymo raktinė „D“ (10 pav.) gali būti pasukta į viršų arba žemyn, siekiant realiesnio efekto.
2. Paprastai liepsnos atrodo realiesnės kai liepsnos valdymas yra išjungtas.
3. Duokite liepsnos generatoriui laiko sureaguoti į jūsų atliktus pokyčius.
4. Krosnelė naudos mažiau vandens jeigu liepsnos efektas bus nustatytas į žemesnį lygmenį.
5. Nestumkite ir nejudinkite krosnelės kol talpykloje ar bake yra vandens.
6. Užtikrinkite, kad krosnelė būtų grindų lygmenyje.

## VALDYMO PULTELIO VEIKIMAS

Valdymo pultelyje A jungiklis (10 pav.) turi būti įjungtas (I), kad valdymo pultelis veiktų.

Ant valdymo pultelio yra 3 mygtukai. (12 pav.) Kai tinkamai veiktų, valdymo pultelis turi būti nukreiptas į grotelių priekį (17 pav.). Valdymo pultelio funkcijos:



Norėdami įjungti tik liepsnos efektą, paspauskite vieną kartą.  
Tai nurodys vienas pyptelėjimas.



Norėdami įjungti pusinio šildymo ir liepsnos efektą, paspauskite vieną kartą.  
Tai nurodys du pyptelėjimai.

Norėdami įjungti pilno šildymo ir liepsnos efektą, paspauskite dar vieną kartą.  
Tai nurodys trys pyptelėjimai.



Atsargimis režimas  
Tai nurodys vienas pyptelėjimas.

## Techninė priežiūra

### BENDROSIOS NUOSTATOS

Šiam įrenginiui naudokite tik filtruotą vandenį iš čiaupo.

Visada įsitikinkite, kad įrengimas stovi ant lygaus paviršiaus.

Jei įrengimo nenaudojate ilgiau nei 2 savaites, nuimkite ir ištuštinkite talpyklą ir vandens baką.

Sumontavę įrengimą, nesiremkite ant jo nugaros, nenuleidę vandens iš talpyklos ir vandens bako.

Įrengimo negalima naudoti jeigu neveikia lempos.

Lempas turi būti reguliariai tikrinamos taip, kaip aprašyta skyriuose „Lempų keitimas“.

### VANDENS BAKO PILDYMAS

Kai vandens bakas yra tuščias, liepsnos ir dūmų efektas išsijungia ir jūs išgirsite 2 pyptelėjimus, imkitės šių veiksmų.

1. Paspauskite įjungti „Afi“, kad (0) (10 pav.).
2. Švelniai pakelkite kuro talpą ir atsargiai padėkite ją šone.
3. Išimkite vandens baką pakeldami aukštyn ir į išorę.
4. Įdėkite vandens baką į kriauklę ir nuimkite dangtį. Norėdami atidaryti sukite prieš laikrodžio rodyklę (7 pav.).
5. Pripildykite baką **tik filtruoto vanduo iš krano**. Būtina pailginti ugnį ir dūmus gaminančio skyriaus gyvavimo laikotarpį. Vanduo turi būti filtruotas per paprastą vandens filtrą, o filtras turi būti reguliariai keičiamas.
6. Vėl prisukite dangtelį, nepervežkite.
7. Gražinkite baką į talpyklą taip, kad bako dangtelis būtų nukreiptas žemyn, o plokščioji bako dalis nukreipta į išorę (8 pav.).
8. Švelniai gražinkite vandens baką į pradinę padėtį (9 pav.).
9. Paspauskite įjungti „Afi“, kad įsijungtų pozicija (I) (10 pav.).

### LEMPŲ KEITIMAS

Jei liepsnos ir dūmų efektas tampa pilkas arba bespalvis, gali būti, kad neveikia viena ar daugiau lempų. Lempų gedimą galite patikrinti taip.

1. Palikite liepsnos efektą įjungtą, pakelkite kuro talpą ir vandens baką.
2. Turi būti įmanoma pamatyti lempas su purkštuku esančiu vietoje ir pastebėti, kurį iš jų reikia pakeisti.
3. „IŠJUNKITE“fi „Afi“ jungiklį ir atjunkite krosnelę nuo srovės šaltinio.
4. 20-iai minučių palikite įrenginį, leisdami lempoms atvėsti, prieš jas išimdami.
5. Išimkite talpyklą taip, kaip aprašyta skyriuje apie valymą.

6. Išimkite sugedusią lempą, švelniai vertikaliai pakeldami ir atjungdami galiukus nuo lempos laikiklio (pav. 4 ir 4a). Pakeiskite į OPTIMYST, 12V, 45W, Gu5.3 bazę, 8° spindulio kampu, spalvota lempa (pirkta iš jūsų tiekėjo).
7. Atsargiai įdėkite du naujos lempos galiukus į dvi lempos laikiklio skylės. Tvirtai pastumkite į vietą (4 ir 4a pav.).
8. Pakeiskite talpyklą, purkštuką, vandens baką ir kuro talpą.

## VALYMAS

**Įspėjimas** - Visados paspauskite įjungti „AČ“, kad „IŠJUNGTUMĖTEČ (0) (10 pav.) ir atjunkite nuo elektros tiekimo prieš valydami krosnelę.

Rekomenduojame kartą per 2 savaites valyti šiuos komponentus, ypač labai drėgnose vietose:-

vandens baką, talpyklą, purkštuką, bako dangtelį ir plombą, oro filtrą.

Atlikdami bendrą valymą naudokite minkštą, švarią šluostę – niekada nenaudokite šlifuojančių valiklių.

Norėdami nuvalyti susikaupusias dulkes ar pūkus nuo šildytuvo ventiliatoriaus išvado grotelių, retkarčiais naudokite dulkių siurbį, pridėję minkštą šepetėlį.

### Vandens bakas

1. Nuimkite vandens baką, taip kaip aprašyta anksčiau, įdėkite į kriauklę ir išpilkite vandenį.
2. Naudodami kartu su krosnele gautą šepetėlį, švelniai nuvalykite dangtelio vidaus paviršius, daugiausiai dėmesio skirdami guminiam žiedui, esančiam išoriniame griovelyje ir centrinei guminei plombai.
3. Į talpyklą įpilkite nedidelį kiekį plovimo skysčio, vėl uždėkite dangtelį ir gerai sukratykite ir skalaukite tol, kol nebeliks jokių valymo pėdsakų.
4. Iš naujo pripilkite filtruoto vandens iš čiaupo, pakeiskite dangtelį, neperveržkite.

### Talpykla

1. Paspauskite įjungti „AČ“, kad „IŠJUNGTUMĖTEČ (0) pozicija.
2. Švelniai nukelkite kuro baką ir atsargiai padėkite ant žemės.
3. Išimkite vandens baką pakeldami aukštyn.
4. Atjunkite elektros jungiklį, esantį dešinėje talpyklos pusėje (5 pav.).
5. Atlaisvinkite dešinės pusės talpyklos užraktus pasukdami 90° kampu. Tada galėsite visiškai iškelti talpyklą iš jos vietos (11 pav.).
6. Švelniai pakelkite talpyklą, taip, kad išlaikytumėte tokį lygį, kad neišsipiltų vanduo. Įstatykite talpyklą į kriauklę.
7. Pasukite kairįjį talpyklos užraktą 90° kampu, tada pakelkite purkštuką (3 pav.).
8. Pakelkite keitiklį ir atsargiai pakreipkite, kaip parodyta, kad skystis išbėgtų iš talpyklos (13 pav.).
9. Uždėkite nedidelį kiekį valymo skysčio ant talpyklos ir naudodami šepetėlį, švelniai išvalykite visus talpyklos paviršius ir švelniai išvalykite keitiklį, įskaitant metalinius diskus, esančius viršutiniame paviršiuje su grioveliu (14 pav.).
10. Išvalę, kruoščiai išskalaukite talpyklą švariu vandeniu, pašalindami visus ploviklio pėdsakus.
11. Šepetėliu išvalykite purkštuką ir kruopščiai nuplaukite vandeniu (15 pav.).
12. Norėdami surinkti iš naujo, atlikite minėtus veiksmus atvirkštine tvarka.

### Oro filtras

1. Švelniai nukelkite kuro baką ir atsargiai padėkite ant žemės.
2. Švelniai paslinkite oro filtrą į viršų iš jo platikinio laikiklio (16 pav.).
3. Prieš grąžindami į vietą, švelniai nuskalaukite vandeniu kriauklėje ir nusauskite medžiaginiu rankšluosčiu.
4. Pakeiskite filtrą, užtikrindami, kad šiurkštus juodasis filtras būtų nukreiptas į krosnelės priekį.
5. Pakeiskite kuro talpą.

## Papildoma informacija

### PASLAUGO PO PARDAVIMO

Jūsų produktui yra suteikiama dviejų metų garantija nuo pirkimo datos. Per šį laikotarpį mes įsipareigojame nemokamai pataisyti arba apkeisti šį produktą (neskaitant lempų ir priklausomai nuo galimybių), įrodžius, kad jis buvo sumontuotas laikantis šių instrukcijų. Ši garantija jums suteikia papildomų teisių šalia jūsų statutinių teisių, kurių ši garantija neveikia.

### PERDIRBIMAS



Elektros prietaisams, parduotiems Europos Bendrijoje - Pasibaigus elektros prietaiso naudojimo laikui jis neturi būti išmestas su buitinėmis šiukšlėmis. Atiduokite juos perdirbti, jei yra tokia galimybė. Pasikonsultuokite su savo vietine institucija atsakinga už konsultavimą perdirbimo klausimais jūsų šalyje.

## PATENTAS / PATENTO FORMA

„Optimyst“ grupės produktai yra saugomi vieno ar daugiau toliau nurodytų patentų ir patentų formų:

Didžioji Britanija GB 2402206, GB 2460259, GB 2460453, GB 2418014, GB 2465738, GB 2449925, GB 2465537, GB 2455277, GB1020534.2, GB1020537.5, GB1110987.3

Jungtinės valstijos US 7967690, US 2010299980, US 2011062250, US 2008028648, US 13/167,042

Rusija RU2008140317

Europa EP 2029941, EP 2201301, EP 2315976, EP 1787063, EP07723217.1, EP11170434.2, EP 11170435.9

Kinija CN 101883953, CN 200980128666.2, CN 101057105, CN 101438104

Australija AU 2009248743, AU 2007224634

Kanada CA 2725214, CA 2579444, CA 2645939

tarptautinė patento forma WO 2006027272

Pietų Afrika ZA 200808702

Meksika MX 2008011712

Korėja KR 20080113235

Japonija JP 2009529649

Brazilija BR P10708894-9

Indija IN 4122/KOLNP/2008

Naujoji Zelandija NZ 571900

### Gedimų taisymas

Požymis	Priežastis	Korekcinis veiksmas
Liepsnos efektas neprasidės.	Pagrindinis kištukas neįjungtas.  Žemas vandens lygis.  Žemos įtampos jungiklis netinkamai sujungtas (5 pav.).  Keitiklis neteisingai įstatytas talpykloje.	Patikrinkite ar jungtis yra tinkamai įjungta į sieninį lizdą.  Patikrinkite, kad vandens bakas būtų pilnas ir talpykloje būtų vandens.  Patikrinkite ar tinkamai pajungtas jungiklis (5 pav.).  Užtikrinkite, kad keitiklis būtų nukreiptas žemyn į suformuotą mažėjimą talpykloje.
Liepsnos efektas per silpnas.	Liepsnos efekto variklio rankenėlė nustatyta per žemai (10 pav.).  Gali būti nešvarus metalinis keitiklio diskas (14 pav.).  Keitiklio laidas yra virš metalinio disko.	Padidinkite liepsną iš lėto pasukdami Valdymo rankenėlę „D“ į kairę (10 pav.).  Metalinį diską valykite minkštu šepetėliu, kurį gavote kartu. (14 pav.) visą procedūrą rasite skyriuje „Priežiūra“.  Nukreipkite laidą į talpyklos galą ir užtikrinkite, kad jis įeitų į šoninį pplyšį, išeinantį iš talpyklos.
Nemalonus kvapas, skilindantis naudojant prietaisą.	Purvinas arba užsistovėjęs vanduo.  Naudojant nefiltruotą vandenį iš čiaupo.	Išvalykite prietaisą taip, kaip nurodyta techninės priežiūros vadove.  Naudokite tik filtruotą vandenį iš krano.
Liepsnos efektas yra su per daug dūmų.	Liepsnos efekto nustatymas per aukštas.	Vienu metu sukite liepsnos efekto valdymo rankenėlę „D“ į dešinę maždaug ¼ apsisukimo. Duokite liepsnos generatoriui šiek tiek laiko prisiderinti prie naujo nustatymo (10 pav.).
Pagrindinės lempos neveikia ir nėra liepsnos ar dūmų.	Bake nėra vandens.	Laikykites <b>Techninė priežiūra</b> „Vandens bako pripildymas“.  Patikrinkite ar kištukas yra teisingai įjungtas į sieninį elektros lizdą, ir kad jungiklis „A“ 10 pav. yra įjungtas (I).



## Úvod

Starostlivo si prečítajte túto informačnú príručku, aby ste mohli výrobok bezpečne namontovať, používať a udržiavať.

## Dôležité bezpečnostné upozornenie

Pri používaní elektrických zariadení vždy dodržujte základné bezpečnostné opatrenia. Znížite tak riziko požiaru, úrazu elektrickým prúdom a poranenia osôb. Dodržujte, okrem iného, nasledujúce pokyny:

### 1. PREHRIATIE

**VÝSTRAHA:** Aby ste predišli prehriatiu, ohrievač nezakrývajte. Na ohrievač neukladajte žiadne predmety alebo odevy alebo iným spôsobom nebráňte v cirkulácii vzduchu okolo ohrievača. Ohrievač je označený výstrahou „DO NOT COVER“ (Nezakrývajte).

### 2. POŠKODENIE.

Ak je zariadenie poškodené, poraďte sa pred inštaláciou a používaním so svojím predajcom.

Ak je sieťový prívod poškodený musí ho v záujme bezpečnosti vymeniť výrobca, autorizovaný servis, prípadne kvalifikovaná osoba.

### 3. UMIESTNENIE

Nepoužívajte vonku.

Nepoužívajte zariadenie v blízkosti, vane, sprchy alebo bazéna.

Neumiestňujte ohrievač pod zásuvku v stene alebo rozvodnú skriňu.

Uistite sa, že záclony, nábytok prípadne iný horľavý materiál sa nachádza vo vzdialenosti minimálne jeden meter od ohrievača. Aj keď tento ohrievač spĺňa bezpečnostné predpisy, neodporúčame vám ho používať na hlbokých kobercoch alebo prikrývkach s dlhými vláknami.

### 4. UMIESTNENIE ZÁSUVKY

Zariadenie musí byť umiestnené tak, aby bola zástrčka sieťového prívodu ľahko dostupná.

Sieťový prívod nekladte pred prednú stranu ohrievača.

### 5. POUŽÍVANIE INÝCH OVLÁDAČOV

Nepoužívajte ohrievač zapojený do série s ovládačom teploty, programovateľným ovládačom, časovačom alebo iným zariadením ktoré automaticky spúšťa vyhrievanie, pretože v prípade že ohrievač náhodne zakryjete alebo nevhodne umiestnite, hrozí riziko požiaru.

### 6. ODPOJENIE

V prípade poruchy odpojte zariadenie z elektrickej siete.

Ak nebudete zariadenie používať dlhší čas, odpojte ho z elektrickej siete.

### 7. MAJITEĽ/UŽÍVATEĽ

Toto zariadenie by nemali používať deti a osoby so zníženými fyzickými, zmyslovými alebo duševnými schopnosťami alebo s nedostatkom skúseností a znalostí, pokiaľ nie sú pod dohľadom zodpovednej osoby, alebo od takejto osoby nedostali inštrukcie týkajúce sa správneho používania zariadenia. Deti by mali byť pod dohľadom, aby sa zabezpečilo, že sa nehrajú so spotrebičom.

### 8. ELEKTICKÁ ENERGIA

**UPOZORNENIE – TOTO ZARIADENIE MUSÍ BYŤ UZEMNENÉ.**

Tento ohrievač musíte používať so zdrojom striedavého prúdu, pričom napätie vyznačené na zariadení sa musí zhodovať s napätím siete.

Pred zapnutím zariadenia si prečítajte bezpečnostné varovania.

## Všeobecné upozornenia

V zariadení používajte len filtrovanú vodu.

Vždy sa ubezpečte, aby zariadenie bolo umiestnené na rovnom povrchu.

Aj keď tento ohrievač spĺňa bezpečnostné predpisy, neodporúčame vám ho používať na hlbokých kobercoch alebo prikrývkach s dlhými vláknami.

Všimnite si: Ak zariadenie používate v prostredí s nízkou hlučnosťou, možno budete počuť zvuk, ktorý vydáva efekt plameňov. Je to bežný jav a nie je možné ho považovať za poruchu.

Ak tento výrobok zažije nárast energie a akéhokoľvek dôvodu, môže sa vypnúť. Je to normálna bezpečnostná funkcia a po 30 sekundách začne výrobok znovu fungovať.

Po namontovaní zariadenie nepresúvajte ani ho nekladte na zadnú časť bez toho, aby ste z nádrže a z vane vyliali vodu. Ak máte v úmysle zariadenie nepoužívať dlhšie ako 2 týždne, z nádrže vylejte vodu a vysušte ju.

Nádrž na vodu, vaňa, vrchnák vane, vrchnák nádrže a vzduchové filtre sa musia raz za dva týždne vyčistiť, najmä v oblastiach s tvrdou vodou.

Zariadenie by sa nikdy nemalo prevádzkovať, ak žiarovky nefungujú.

Žiarovky by sa mali pravidelne kontrolovať, ako je popísané v časti „údržba“ a „výmena žiaroviek“.

## Návod na inštaláciu

Táto časť popisuje, ako nastaviť váš umelý oheň.

### PREDTÝM, AKO ZAČNETE

1. Výrobok opatrne rozbalte a ponechajte si obal pre prípadné neskoršie použitie pri sťahovaní alebo pri zasielaní umelého ohniska späť výrobcovi.
2. Pred zapojením zariadenia skontrolujte, či sa napätie v sieti zhoduje s napätím, ktoré je uvedené na ohrievači.

#### Zapojenie jednotky transduktora a žiaroviek

1. Uvoľnite dve červené zarážky otočením o 90 stupňov (obr. 2).
2. Vyberte vaňu trysky (obr. 3).
3. Vložte žiarovky do objímok (obr. 4), kolíky opatrne umiestnite do otvorov (obr. 4a).
4. Žiarovky zatlačte pevne na miesto.
5. Umiestnite jednotku transduktora do vane a do konektora vane zapojte káble (obr. 5).
6. Aby ste zabezpečili, že je jednotka transduktora pevne na mieste, zarážka na jednotke transduktora by mala byť zarovnaná s drážkou na vani (obr. 5a).
7. Ubezpečte sa, že kábel nie je nad diskom na jednotke transduktora (obr. 5b). Aby ste zabránili tomu, že sa kábel zachytí medzi trysku a vaňou, umiestnite kábel do zárezu na stene vane.
8. Vráťte trysku vane a zabezpečte ju otočením dvoch červených zarážok o 90 stupňov (obr. 6).

#### Naplnenie nádrže

9. Umiestnite nádrž na vodu do umývadla a odstráňte vrchnák (otočte proti smeru hodinových ručičiek, ak chcete otvoriť) (obr.7).
10. Naplňte nádrž na vodu **len filtrovanou vodou z vodovodného kohútika**. Je to potrebné, ak chcete predĺžiť životnosť jednotky produkujúcej plamene a dym. Voda by mala byť prefiltrovaná cez obvyklý domáci vodný filter a filter by sa mal pravidelne vymieňať. Destilovaná voda sa **nesmie** používať.
11. Naskrutkujte naspäť vrchnák - **neuťahujte príliš**.
12. Nádrž na vodu umiestnite do vane smerom nadol a rovnou stranou smerom dopredu (obr. 8).

#### Montáž umelého ohňa

13. Umiestnite palivové ložisko na nádrž na vodu a trysku na zvlhčovanie (obr. 9).

## Obsluha umelého ohňa

Táto časť popisuje, ako aktivovať umelý oheň buď pomocou ručného ovládania alebo diaľkového ovládania.

### RUČNÉ OVLÁDANIE

Ručné ovládače sa nachádzajú pod klapkou závesu (obr. 10 Ručné ovládanie).

Prepínač „A“ - Reguluje dodávku energie do umelého ohňa.


Poznámka: Tento prepínač musí byť v pozícii I) ZAPNUTÉ, ak chcete, aby umelý oheň fungoval s vyhrievaním alebo bez.

Prepínač „B“:- Stlačte  raz, ak chcete zapnúť efekt plameňov. Zaznie pípnutie. Aj keď veľké svetlá začnú hneď fungovať, zapnutie efektu plameňov trvá 30 sekúnd.

Stlačte  znovu, ak chcete efekt plameňov a polovičné vyhrievanie. Zaznejú dva pípnutia.

Stlačte  znovu, ak chcete efekt plameňov a plné vyhrievanie. Zaznejú tri pípnutia.

Stlačte  znovu, ak chcete vrátiť len efekt plameňov. Zaznie jedno pípnutie.

Stlačte  ak chcete umelý oheň prepnúť do pohotovostného režimu. Zaznie jedno pípnutie.

Otočný ovládač „C“:- ovládanie nastavení termostatu.

Otočením otočného ovládača doľava zvýšite nastavenie teploty, otočením otočného ovládača doprava sa zvýši nastavenie teploty.

Otočný ovládač „D“:- Reguluje intenzitu efektu plameňa.

Otočením otočného ovládača doľava zvýši efekt plameňa, otočením doprava zníži efekt plameňov.

### NASTAVENIE TERMOSTATU

Ubezpečte sa, že je umelý oheň pripojený a zapnite ho na nastavenie plného vyhrievania. Otočte otočný ovládač „C“ úplne doprava (nastavenie maximálnej teploty), ak chcete miestnosť rýchlo zohriať. Keď teplota v miestnosti dosiahne požadovanú hodnotu, otočte otočný ovládač termostatu pomaly smerom späť, až kým termostat necvakne. Ohrievač bude udržiavať teplotu miestnosti na zvolenej hodnote.

Poznámka: Ak sa ohrievač nezapne, keď je termostat nastavený na nízkej hodnote, môže to byť preto, že teplota v miestnosti je vyššia ako nastavenie termostatu.

## BEZPEČNOSTNÉ VYPNUTIE PRI PREHRIATÍ

Do teplovzdušného ohrievača je zabudovaná funkcia bezpečnostného vypnutia, v prípade že hrozí prehriatie. To sa môže stať, ak bol zablokovaný vetrací otvor zariadenia. Ak sa vypnutie aktivuje, odpojte ohrievač zo zásuvky a nechajte ohrievač asi 10 minút vychladnúť pred opätovných zapojením. Pred zapnutím ohrievača odstráňte všetky prekážky, ktoré by mohli obmedzovať odvod tepla, a potom pokračujte v bežnej prevádzke.

**Upozornenie:** Aby ste sa vyhlí nebezpečenstvu mimovoľného opätovného nastavenia vypínania pri prehriatí, tento spotrebič nesmie byť napájaný z externého spínacieho zariadenia, akým je napríklad časovač, a nesmie byť pripojený do obvodu, ktorý sa pravidelne zapína a vypína pomocou takejto funkcie.

## ZÍSKANIE POŽADOVANÉHO EFEKTU PLAMEŇA

1. Otočné ovládanie plameňa „D“ (obr. 10) sa môže zvýšiť alebo znížiť, ak chcete dosiahnuť realistickejší efekt.
2. Plamene vo všeobecnosti vyzerajú realistickejšie, ak je ovládanie plameňa stiahnuté.
3. Umožnite generátoru plameňov, aby mal čas reagovať na zmeny, ktoré urobíte
4. Umelý oheň spotrebuje menej vody, ak je efekt plameňov nastavený na menšiu hodnotu.
5. Umelý oheň nenakláňajte ani s ním nepohybujte, ak je v nádrži alebo vo vani voda.
6. Zaisťte, aby bol umelý oheň umiestnený na rovnom povrchu.

## DIALKOVÉ OVLÁDANIE

Na ovládacom paneli musí byť prepínač A (obr. 10) v pozícii „ZAPNUTÉ“ (I), ak chcete, aby fungovalo diaľkové ovládania.

Diaľkové ovládanie má 3 tlačidlá: (obr.12) Aby diaľkové ovládanie fungovalo správne, musí byť namierené na prednú časť mriežky. (Obr. 17). Funkcie diaľkového ovládača sú:



Stlačte raz, ak chcete zapnúť len efekt plameňov.  
Zaznie jedno pípnutie.



Stlačte raz, ak chcete polovičné vyhrievanie a efekt plameňov.

Zaznejú dva pípnutia.

Stlačte znovu raz, ak chcete plné vyhrievanie a efekt plameňov.

Zaznejú tri pípnutia.



Pohotovostný režim  
Zaznie jedno pípnutie.

## Údržba

### VŠEOBECNÉ RADY

V tomto zariadení používajte len filtrovanú vodu.

Vždy sa ubezpečte, aby zariadenie bolo umiestnené na rovnom povrchu.

Ak máte v úmysle zariadenie nepoužívať dlhšie ako 2 týždne, vaňu a nádrž na vodu vylejte a vysušte ich.

Po namontovaní zariadenie nepresúvajte ani ho nekladte na zadnú časť bez toho, aby ste z nádrže vyliali vodu.

Zariadenie by sa nikdy nemalo prevádzkovať, ak žiarovky nefungujú.

Žiarovky by sa mali pravidelne kontrolovať, ako je popísané v časti „výmena žiaroviek“.

### NAPLNENIE NÁDRŽE NA VODU

Keď je nádrž na vodu prázdna, efekt plameňa a dymu sa vypne a budete počuť 2 hlasné pípnutia, dodržte nasledovné kroky.

1. Stlačte prepínač „A“ do polohy (0) (obr. 10).
2. Jemne zodvihnite palivové ložisko a opatrne ho odložte bokom.
3. Nádrž na vodu vyberte zodvihnutím smerom hore a von.
4. Umiestnite nádrž na vodu do umývadla a odstráňte vrchnák. Sk chcete otvoriť, otočte proti smeru hodinových ručičiek (obr. 7).
5. Naplňte nádrž na vodu **len filtrovanou vodou z vodovodného kohútika**.. Je to potrebné, ak chcete predĺžiť životnosť jednotky vyrábajúcej plameň a dym.  
Voda by mala byť prefiltrovaná cez obvyklý domáci vodný filter a filter by sa mal pravidelne vymieňať.
6. Naskrutkujte naspäť vrchnák, neuťahujte silno.
7. Nádrž na vodu vráťte naspäť do vane smerom nadol a rovnou stranou smerom dopredu (obr. 8).
8. Opatrne vráťte palivové ložisko naspäť na miesto (obr. 9).
9. Stlačte prepínač „A“ do polohy „ZAPNUTÉ“ (I) (obr. 10).

### VÝMENA ŽIAROVIEK

Ak má efekt plameňa a dym šedivý nádych, alebo sú bez farby, príčinou môže byť jedna alebo viac pokazených žiaroviek. Žiarovku môžete skontrolovať nasledovne.

1. So zapnutým efektom plameňa zodvihnite palivové ložisko a nádrž na vodu.
2. Žiarovku by ste mali vidieť aj s osadenou tryskou a mali by ste zistiť, ktorú žiarovku je potrebné vymeniť.
3. Prepínač „A“ prepnite do polohy „VYPNUTÉ“ (‘OFF’) a umelý oheň odpojte od siete.
4. Zariadenie nechajte 20 minút, aby žiarovky pred ich vybratím vychladli.

5. Vyberte vaňu, ako je uvedené v časti čistenie.
6. Žiarovku opatrne zodvihnite smerom nahor a kolíky vyberte z objímky žiarovky (obr. 4 a obr. 4a). Nahraďte žiarovkou typu OPTIMYST, 12V, 45W, Gu5.3 základná, 8° uhol lúču, farebná žiarovka. (Zakúpíte u vášho dodávateľa).
7. Dva kolíky novej žiarovky opatrne zasunúte do dvoch dier v objímke žiarovky. Pevne zatlačte na miesto. (Obr. 4 a 4a).
8. Vráťte na miesto vaňu, trysku, nádrž na vodu a palivové ložisko.

## ČISTENIE

**Výstraha** – Pred čistením umelého ohňa vždy prepnite prepínač „A“ vždy do polohy „VYPNUTÉ“ (‘OFF’) (0) (obr. 10) a odpojte od elektrickej zásuvky.

Nasledovné komponenty odporúčame čistiť raz za dva týždne, najmä v oblastiach s tvrdou vodou:- nádrž na vodu, vaňu, trysku, vrchnák a tesnenie nádrže, vzduchový filter.

Na bežné čistenie použijete mäkkú čistú handru– nikdy nepoužívajte agresívne čistiace prostriedky.

Nahromadený prach alebo chuchvalce na výpusťnej mriežke ohrievača občas odstráňte vysávačom. Ako násadec použijete mäkkú kefu.

### Nádrž na vodu

1. Nádrž na vodu vyberte, ako je uvedené vyššie, položte ju do umývadla a vodu vylejte.
2. Pomocou priloženej kefy opatrne vyčistíte vnútorné povrchy vrchnáka. Dávajte pozor najmä na gumový krúžokvo vonkajšej drážke a na stredové gumové tesnenie.
3. Do nádrže nalejte malé množstvo čistiaceho prostriedku, upevnite vrchnák a dobre zatraste. Oplachujte, až kým neodstránite všetok čistiaci prostriedok.
4. Naplňte filtrovanou vodou z vodovodného kohútika, založte vrchnák, neuťahujte veľmi.

### Vaňa

1. Prepňte prepínač „A“ do polohy „VYPNUTÉ“ (‘OFF’) (0).
2. Jemne zodvihnite palivové ložisko a opatrne ho položte na zem.
3. Nádrž na vodu vyberte zodvihnutím smerom hore.
4. Odpojte elektrický konektor, ktorý sa nachádza na pravej strane vane (obr. 5).
5. Otočením o 90 ° uvoľnite pravý zámok vane. Toto umožní úplne vybrať vane z miesta (obr. 11).
6. Opatrne zodvihnite vaňu, dávajte pozor na vodu, aby ste ju nerozliali. Položte do umývadla.
7. Otočením o 90 ° uvoľnite ľavý zámok vane, potom vyberte trysku (obr. 3).
8. Vyberte transduktor a opatrne ho nahnite, ako je zobrazené, aby ste vyliali vodu z vane (obr. 13).
9. Do vane nalejte malé množstvo čistiaceho prostriedku a pomocou priloženej kefy jemne vyčistíte všetky povrchy vane a transduktor, vrátane kovových diskov umiestnených na vrchu drážkovaného povrchu (obr. 14).
10. Po vyčistení vaňu dôkladne opláchnite čistou vodou, aby ste odstránili všetky zvyšky čistiaceho prostriedku.
11. Trysku vyčistíte kefkou a riadne vypláchnite vodou (obr. 15).
12. Kroky zopakujte v opačnom poradí, aby ste zariadenie zmontovali.

### Vzduchový filter

1. Jemne zodvihnite palivové ložisko a opatrne ho položte na zem.
2. Opatrne vysuňte vzduchový filter smerom hore z plastového držiaka. (Obr. 16)
3. V umývadle opatrne vypláchnite vodou a pred vrátením namiesto vysuňte látkou.
4. Vráťte filter namiesto, ubezpečte sa, že hrubý čierny filter smeruje von z umelého ohňa.
5. Vráťte na miesto palivové ložisko.

## Dodatočné informácie

### POPREDAJNÝ SERVIS

Na váš výrobok sa vzťahuje dvojročná záruka odo dňa zakúpenia. V rámci tohto obdobia za zaväzujeme opraviť alebo vymeniť tento výrobok bezplatne (okrem žiaroviek a s výhradou na dostupnosť) pod podmienkou, že zariadenie bolo nainštalované a prevádzkované v súlade s pokynmi. Vaše práva na základe tejto záruky sú dodatočné k vašim zákonným právam, ktoré touto zárukou nie sú ovplyvnené.

### RECYKLÁCIA



Elektrické výrobky predávané v rámci Európskeho spoločenstva - na konci životnosti elektrických výrobkov sa nesmú zlikvidovať s odpadom z domácnosti. Podľa možnosti zabezpečte ich recykláciu v príslušnom zariadení. Informácie o recyklácii, ktoré platia vo vašej krajine, vám poskytne miestny úrad alebo predajca.

## PATENT / PATENTOVÁ PRIHLÁŠKA

Produkty radu Optimyst sú chránené jedným alebo viacerými z nasledovných patentov a patentových prihlášok:

Veľká Británia GB 2402206, GB 2460259, GB 2460453, GB 2418014, GB 2465738, GB 2449925, GB 2465537, GB 2455277, GB1020534.2, GB1020537.5, GB1110987.3

Spojené štáty US 7967690, US 2010299980, US 2011062250, US 2008028648, US 13/167,042

Rusko RU2008140317

Európska EP 2029941, EP 2201301, EP 2315976, EP 1787063, EP07723217.1, EP11170434.2, EP 11170435.9

Čína CN 101883953, CN 200980128666.2, CN 101057105, CN 101438104

Austrália AU 2009248743, AU 2007224634

Kanada CA 2725214, CA 2579444, CA 2645939

Medzinárodná patentová prihláška WO 2006027272

Južná Afrika ZA 200808702

Mexiko MX 2008011712

Kórea KR 20080113235

Japonsko JP 2009529649

Brazília BR P10708894-9

India IN 4122/KOLNP/2008

Nový Zéland NZ 571900

### Odstraňovanie chýb

Symptóm	Príčina	Náprava
Efekt plameňov sa nezapne.	Zástrčka nie je zasunutá.  Nízka hladina vody.  Nízkonapäťový konektor nie je riadne zapojený. (Obr. 5)  Jednotka transduktora nesedí dobre vo vani.	Skontrolujte, či je zástrčka dobre zapojená do zásuvky na stene.  Skontrolujte, či je nádrž na vodu plná a či je vo vani voda.  Skontrolujte, či je konektor dobre zapojený (obr. 5).  Ubezpečte sa, že transduktor je dobre osadení vo vyformovanej záružke vo vani.
Efekt plameňov je príliš nízky.	Otočný ovládač efektu plameňa je nastavený príliš nízko (obr. 10).  Kovový disk v transduktore môže byť špinavý (obr. 14).  Vedenie z jednotky transduktora sa nachádza nad kovovým diskom.	Zvýšte hladinu plameňa pomalým otáčaním otočného ovládača „D“ doľava (obr. 10).  Vyčistite kovový disk priloženou mäkkou kefkou (obr.14). Pozrite si 'údržba' ohľadne postupu krok za krokom.  Nasmerujte vedenie do zadnej časti vane a ubezpečte sa, že je v záružke vane.
Nepríjemný zápach, keď sa jednotka používa.	Špinavá alebo odstáta voda.  Používanie neprefiltrovannej vody.	Vyčistite jednotku tak, ako je uvedené v časti údržba.  Používajte len filtrovanou vodou z vodovodného kohútika.
Efekt plameňov má príliš veľa dymu.	Efekt plameňa je nastavený príliš vysoko.	Otočte otočným ovládačom efektu plameňa „D“ doprava, asi o ¼ otočenie. Umožnite generátoru plameňov, aby sa mohol prispôbiť novému nastaveniu (obr. 10).
Hlavné žiarovky nefungujú a nie je vidno ani plamene ani dym.	V nádrži na vodu nie je voda.	Nasledujte pokyny v časti <b>údržba</b> , „Naplnenie nádrže“.  Skontrolujte, či je zástrčka správne zapojená do sieťovej zásuvky a prepínač „A“ (obr. 10) je v polohe ZAPNUTÉ (I).



## DE - Garantie

Die nachstehenden Ausführungen über Umfang der Garantie, Garantiefristen und die Anmeldung von Garantieansprüchen gelten ausschließlich für die Bundesrepublik Deutschland.

Wir räumen dem Käufer nach seiner Wahl zusätzlich zu den ihm gegen den Verkäufer ausstehenden gesetzlichen Gewährleistungsansprüchen einen Anspruch nach Maßgabe der nachfolgenden Garantieverpflichtung ein:

### I. Dauer und Beginn der Garantie

1. Grundsätzlich wird für jedes im Haushalt eingesetzte Gerät die auf der Garantiekarte ausgezeichnete Garantiezeit gewährt.
2. Bei gewerblicher Nutzung der von der Bauart her für den Haushalt bestimmten Geräte beträgt die Garantiezeit lediglich sechs Monate.
3. Die Garantie ist mit dem Zeitpunkt der Übergabe des Gerätes wirksam.
4. Bewahren Sie die vom Verkäufer ausgefüllte Garantie-Urkunde mit der Rechnung, dem Lieferschein oder einem anderen Kaufnachweis auf.
5. Durch Garantieleistungen tritt keine Verlängerung der ursprünglichen Garantiezeit ein.
6. Garantieansprüche können nur geltend gemacht werden, wenn die Mängelrüge innerhalb von 14 Tagen nach Entdeckung des Mangels schriftlich bei uns eingeht.

### II. Inhalt und Umfang der Garantie

1. Ihr Gerät wird sorgfältig geprüft. Für den Fall, daß der Garantieanspruch zu Recht besteht, entscheiden wir, auf welche Art der Schaden behoben werden soll / wird. Im Reparaturfall sorgen wir für eine fachgerechte Ausführung.
2. Bei der Einsendung zur Reparatur sind Garantie-Urkunde und Kaufnachweis beizufügen.
3. Innerhalb der ersten sechs Monate erbringen wir die Garantieleistungen ohne Berechnung von Nebenkosten (Fahrt- und Wegzeitkosten, Fracht- und Verpackungskosten).
4. Darüber hinausgehende Ansprüche, insbesondere Schadenersatzansprüche, sind ausgeschlossen, soweit eine Haftung nicht gesetzlich angeordnet ist.

### III. Einschränkungen der Garantie

1. Eine Garantie besteht nicht bei Fehlern oder Mängeln, die auf folgendes zurückzuführen sind:
  - a) Reparaturen und Abänderungen, die von nicht autorisierter dritter Stelle vorgenommen werden oder wurden;
  - b) äußere Einwirkungen, zum Beispiel Transportschäden, Beschädigungen durch Stoß oder Schlag, Schäden durch Witterungseinflüsse oder sonstige Naturerscheinungen;
  - c) unsachgemäße / fehlerhafte Bedienung oder Beanspruchung;
  - d) Verwendung von ungeeigneten Reinigungsmitteln, Chemikalien usw.
2. Die Garantie erstreckt sich nicht auf leicht zerbrechliche Teile, zum Beispiel Glas, Kunststoff, Glühlampen.
3. Geringfügige Änderungen gegenüber Prospekten oder Mustern oder früher gelieferter Ware gelten nicht als Mangel. Gleiches gilt bei lediglich geringfügigen Abweichungen von der Sollbeschaffenheit, die für Wert- und Gebrauchstauglichkeit des Gerätes unerheblich ist.
4. Im Ausland gelten die von unserer jeweils zuständigen Landesvertretung herausgegebenen Garantiebedingungen.

**DE - Garantie** Für dieses Gerät gelten die in dem Kaufland herausgegebenen Garantiebedingungen. Einzelheiten teilen Ihnen der Händler, bei dem Sie das Gerät gekauft haben, auf Anfrage jederzeit mit. Die Inanspruchnahme von Garantieleistungen setzt die Vorlage des Kaufbeleges und die Einhaltung der Garantiefrist voraus. Der Garantieanspruch verfällt, wenn das Gerät beschädigt, nicht sachgemäß benutzt oder unbefugte Eingriffe vorgenommen wurden.

**UK - Warranty** The warranty conditions in the country of purchase apply to this appliance. Information can be obtained at any time from the retailer from whom the appliance was purchased. For claims under guarantee the sales receipt must be produced and the claims must be forwarded within the guarantee period. The right to claim under guarantee expires in case that the device has been damaged, used in an inappropriate way or that unauthorized manipulations have been carried out.

**FR - Garantie** Pour cet appareil, les garanties applicables sont celles en vigueur dans le pays où a lieu l'achat. Votre revendeur vous en communiquera à tout moment les détails sur simple demande. La revendication au droit à la garantie est assujettie à la présentation de la preuve d'achat et du respect du délai de garantie. Le droit à la garantie expire lorsque l'appareil a été endommagé, utilisé de manière inadéquate ou que des interventions ont été effectuées par des tiers.

**IT - Garanzia** Per questo apparecchio valgono le condizioni di garanzia pubblicate nel Paese d'acquisto. I dettagli a riguardo vengono forniti, in ogni momento, su richiesta, dal rivenditore presso il quale viene acquistato l'apparecchio. Il diritto alla prestazione di garanzia ha come premessa l'esibizione dello scontrino di acquisto e l'osservanza del termine di garanzia. Il diritto alla copertura di garanzia non sussiste, se l'apparecchio è stato danneggiato, se non è stato utilizzato a regola d'arte e sono stati effettuati su di esso interventi non autorizzati.

**ES - Garantía** Para este aparato tienen validez las condiciones de garantía entregadas en el país de compra. En caso de preguntas, el vendedor al que usted compró el aparato, estará en todo momento dispuesto a informarle sobre los detalles al respecto. La solicitud de prestaciones que estén incluidas en las disposiciones de garantía presupone, que usted presente el ticket de compra y que haga su solicitud en el plazo de garantía. Los derechos de garantía caducan, si el aparato se ha dañado, si se ha utilizado de manera inadecuada, o si en él se han efectuado intervenciones desautorizadas.

**PT - Garantia** As condições de garantia do país de compra aplicam-se a este aparelho. Pode obter informação em qualquer altura do retalhista de onde adquiriu o aparelho. Todas as reclamações ao abrigo da garantia terão de se fazer acompanhar do documento comprovativo da compra e de serem enviadas dentro do período da garantia. O direito de reclamação ao abrigo da garantia expira no caso do aparelho ter sido danificado, utilizado de forma incorrecta ou de se terem efectuado manipulações não autorizadas.

**NL - Garantie** Voor dit apparaat gelden de in het koopland uitgegeven garantievoorwaarden. Details deelt U uw dealer, waar U het apparaat heeft gekocht, op aanvraag altijd mee. De gebruikmaking van garantievoorwaarden vereist het overleggen van het koopbewijs en de nakoming van de garantietermijn. De garantieclaim vervalt, wanneer het apparaat werd beschadigd, niet juist werd gebruikt of onbevoegde ingrepen werden uitgevoerd.

**DK - Garanti** Apparatet er omfattet af de garantibetingelser, som er gældende i købslandet. Nærmere detaljer kan fås hos den forhandler, hvor du har købt apparatet. Der kan kun stottes ret på garantien ved forebyggelse af købskittering og kun inden for garantiperioden. Garantien bortfalder, hvis apparatet er blevet beskadiget, anvendt forkert eller i tilfælde af uautoriseret indgreb i apparatet.

**SE - Garanti** För denna apparat gäller de för inköpslandet utgivna garantibestämmelserna. På förfrågan kan detaljerna i garantibestämmelserna erhållas från inköpsstället där apparaten har köpts. Om garantin tas i anspråk måste inköpskvitto kunna uppvisas inom garantitiden. Alla garantianspråk

**NO - Garanti** For dette apparatet gjelder kun de betingelsene som er offentliggjort i forretningen det er kjøpt. Detaljer ang. dette kan man til enhver tid få hos den fagforhandleren hvor du har kjøpt apparatet. For å ha fulle garantirettigheter må man kunne fremlegge kvitteringen og garantifristen må ikke være utløpt. Garantien gjelder ikke når apparatet er skadet, ikke er brukt etter forskriftene eller ukvalifiserte innrep er foretatt.

**FI - Takuu** Laitteella on ostomaassa voimassa olevat takuuehdot. Yksityiskohdat näistä ehdoista ilmoittaa sinulle kauppias, jolta olet laitteen ostanut. Takuusuurituksia voi vaatia takuuajan ollessa voimassa esittämällä ostodokumentin. Takuu ei ole voimassa, mikäli laiteita on käytetty sen ollessa vaurioitunut, sitä on käytetty väärin tai ammatittaidoton henkilö on korjannut laitetta.

**PL - Gwarancja** Dla tego urządzenia obowiązują warunki gwarancji wydane w kraju zakupu. W każdej chwili sprzedawca, u którego dokonano zakupu urządzenia, przekaże Państwu odpowiednie szczegóły. Wykorzystanie świadczeń gwarancyjnych jest uwarunkowane przedłożeniem potwierdzenia zakupu i zachowaniem terminu gwarancji. Prawo do gwarancji przepada, gdy urządzenie zostanie uszkodzone, nieoprawnie używane lub dokonane zostaną niedozwolone manipulacje.

**CZ - Záruka** Pro tento přístroj jsou platné záruční podmínky, které byly vydány v zemi kupujícího. S podrobnostmi Vás kdykoliv na požádání seznámí Váš prodejce, u kterého jste přístroj zakoupili. Uznání záruky předpokládá předložení dokladu o koupi a dodržení záruční lhůty. Nárok na záruku propadá, je-li přístroj poškozený, neodborně provozovaný a nebo byly-li na něm provedeny neodborné zásahy.

**LV - Garantijs** Ģai ierīci ir spēkā pirēja valstī izdotie garantijas noteikumi. Par to jūs sīkāk informācija saņemsiet veikālā, kurā jūs do ierīci nopirkāt. Garantijas pieteikšanās jums ir nepieciešama pirkšanas kvīts. Bez tam ir svarīgi, lai garantijas termiņā nebūtu notēcijas. Garantija netiek sniegta, ja jūs ierīci sabojājāt, ekspluatējāt neatbilstoši lietošanas instrukcijai, veicāt patvaļīgi demontāžu vai mēcinājāt padīt to remontēt.

**SI - Garancija** Za to napravvo veljajo garancijski pogoji izdani v državi nakupa. Na vašo željo vas bo o podrobnostih kadarkoli obvestil trgovec, pri katerem ste kupili napravo. Pogoj za uveljavljanje storitev določenih v garanciji je predložitev računa in upoštevanje garancijskega roka. Pravica do garancije zapade, če je naprava poškodovana, če naprava ni bila ustrezno uporabljena ali če so bili izvedeni nepooblaščen posegi v napravo.

**SK - Záruka** Pre tento prístroj platia záručné podmienky vydané v krajine jeho zakúpenia. S podrobnosťami Vás na požiadanie kedykoľvek zoznámí predajca, u ktorého ste prístroj zakúpili. Nárok na záručné služby predpokladá predloženie dokladu o kúpe a dodržanie záručnej lehoty. Nárok na záruku zaniká, ak bol prístroj poškodený, neodbornou používaním alebo na ňom boli urobené neoprávnené zásahy.

**LT - Garantija** Ūiam prietaisui galioja pirmko dalyje ideistos garantijos slygos. Jums pasiteiravus bet kuriuo metu pardavėjas, pas kurą Jus pirkote prietaisf, informuos apie smulkmenas. Garantijos vykdymo pasinaudojimo slyga yra kasos čekio pateikimas ir garantinio termino idlaikymas. Garantinis reikalavimas pasibaigia, jeigu prietaisas sugadintas, netinkamai buvo naudotas arba buvo atlikti neleistini askidimai.

**EE - Garanti** Seadme kohta kehtivad selle riigi garantitingimused, kus seade on ostetud. Seadme edasimūija annab Teile pōhjalikku informatsiooni garantii ūksikasjade kohta. Garantiteenuste osutamise aluseks garantiaja jooksul on ostudokument. Garantii ei kehti, kui seade on kahjustunud, seda on kasutatud ebaosttarbiselt vōi seadet on demonteeritud.

**HU - Garancia** A készulékre a vásárlási országban kiadott garanciális feltételek érvényesek. Ennek részleteiről kérésre szívesen nyújt információt az a kereskedő, akitől a készüléket vásárolta. A garanciális teljesítés igénybe vételének előfeltétele a vásárlási bizonylat bemutatása és a garanciális határidő betartása. A garanciális igény nem érvényes, ha a készülék sérült, nem szakszerűen használták vagy illetéktelen beavatkozásokot végeztek rajta.


**HR - Jamstvo** Uvjeti jamstva koji važe u državi kupnje važe i za ovaj uređaj. Podaci se mogu dobiti u svako doba od dobavljača od kojega ste kupili proizvod. Za zahtjeve po osnovi jamstva morate priložiti račun koji ste dobili pri kupnji, a zahtjev treba podnijeti u toku trajanja jamstvenog perioda. Pravo iz jamstva isticu u slučaju da je uređaj oštećen, korišten na neodgovarajući način ili su na njemu provedene neovlaštene popravke.

**GR - Εγγύηση** Για την παρούσα συσκευή ισχύουν οι κανονισμοί εγγύησης του ισχύουσιν στην χώρα όπου αγοράστηκε. Λεπτομέρειες από παρέχει ο έμπορος από τον οποίο προμηθευτήκατε την συσκευή οποιαδήποτε στιγμή του το ζητήσετε. Απαραίτητες προϋποθέσεις για την διεκδίκηση παροχών που περιλαμβάνονται στην εγγύηση είναι η απόδειξη αγοράς και η τήρηση της προθεσμίας εγγύησης. Η εγγύηση εκπίπτει εφόσον η συσκευή υπέστη βλάβη, δεν χρησιμοποιήθηκε ορθά ή έλαβαν χώρα επεμβάσεις σε αυτή από μη εξουσιοδοτημένο πρόσωπο.

**BG - гаранция** За настоящия уред вадат гаранционните условия, валидни за страната, в която е купен. С подробностите ще Ви запознае продавачът, от който сте купили уреда и към който Вие можете да се обърнете по всяко време. За да се предоставят гаранционни услуги, е необходимо да се представи документът за закупуване и да не е изтекъл гаранционният срок. Гаранцията се губи, ако уредът е повреден, неправилно използван или с недопустими изменения.

**RU - Гарантия** В отношении этого прибора действительны условия гарантии, предоставленные в стране приобретения. Более подробную информацию по вашему запросу в любое время предоставит магазин, в котором вы приобрели прибор. Для гарантийного обслуживания необходимо в течение гарантийного срока предъявить квитанцию о покупке. Гарантия утрачивает силу, если прибор был поврежден, использовался ненадлежащим образом или был подвергнут недопустимым вмешательствам.

**KZ Кепілдік** Мынау аспапқа сатып алған мемлекетте шыққан гарантиялы шарттар жарамды. Аспапты сатып алған сатушыны сұратсаңыз, әрдайым нақтылықтарды айтып береді. Гарантиялы міндеттемені пайдалану үшін сатып алған қаспалық чекі болуы және гарантиялы мерзімін өткізіп алмауы керек. Аспап сынық, дұрыс пайдаланбаған немесе арнаулы емес талдаулар өткізілген болса гарантия правосы жарамсыз.

<b>1. Warranty Card</b>  	<b>2. Guarantee Period (in Years)</b>  2	<b>3. Model(s)</b>	<b>4. Date of Purchase</b>								
<b>5. Stamp &amp; Signature of retailer</b>	<b>6. Fault/Defect</b>										
<b>7. Contact Number &amp; Address</b> <table border="0" style="width: 100%;"> <tr> <td style="width: 25%; vertical-align: top;"> <b>DE</b>  Glen Dimplex Deutschland GmbH  ewt-Kundendienst  ☎ +49 (911) 1805 / 398 346  Fax. +49 (911) 1805 / 355 467  (14Ct./Min aus dem dt. Festnetz)  Mobilfunkpreise koennen abweichen  service@glendimplex.de </td> <td style="width: 25%; vertical-align: top;"> <b>UK</b>  <a href="http://www.dimplex.co.uk">www.dimplex.co.uk</a>  ☎ (+44) 0845 600 5111  Fax. (+44) 01489 773050  A division of the GDC Group Ltd. </td> <td style="width: 25%; vertical-align: top;"> <b>NO</b>  Glen Dimplex Nordic  HAVNEGATA 24,  N 7500,  Stjørdal, Norway.  +(47) 74 82 91 00  Fax: +(47) 74 82 91 01  www.glendimplex.no  email@glendimplex.no </td> <td style="width: 25%; vertical-align: top;"> <b>IT</b>  Glen-Dimplex Italia S.r.l.  via delle Rose 7,  24040 Iallio (BG)  ☎ 035-201042  Fax. 035-200492  info@glendimplex.it </td> </tr> <tr> <td style="vertical-align: top;"> <b>ES</b>  Glen Dimplex España S.L.  C/ Bailén, 20, 4º, 2ª  e-08010 BARCELONA  ☎ (+34) 93.238.61.59  Fax. (+34) 932384375 </td> <td style="vertical-align: top;"> <b>NL</b>  Glen Dimplex Benelux B.V. – Netherlands  Antennestraat 84  1322 AS Almere, Nederland  E-mail: info@glendimplex.nl  www.glendimplex.nl </td> <td style="vertical-align: top;"> <b>FR</b>  Glen Dimplex France  ZI Petite Montagne Sud  12 rue des Cévennes  91017 EVRY - LISSES  www.glendimplex-france.fr </td> <td></td> </tr> </table>				<b>DE</b> Glen Dimplex Deutschland GmbH ewt-Kundendienst ☎ +49 (911) 1805 / 398 346 Fax. +49 (911) 1805 / 355 467 (14Ct./Min aus dem dt. Festnetz) Mobilfunkpreise koennen abweichen service@glendimplex.de	<b>UK</b> <a href="http://www.dimplex.co.uk">www.dimplex.co.uk</a> ☎ (+44) 0845 600 5111 Fax. (+44) 01489 773050 A division of the GDC Group Ltd.	<b>NO</b> Glen Dimplex Nordic HAVNEGATA 24, N 7500, Stjørdal, Norway. +(47) 74 82 91 00 Fax: +(47) 74 82 91 01 www.glendimplex.no email@glendimplex.no	<b>IT</b> Glen-Dimplex Italia S.r.l. via delle Rose 7, 24040 Iallio (BG) ☎ 035-201042 Fax. 035-200492 info@glendimplex.it	<b>ES</b> Glen Dimplex España S.L. C/ Bailén, 20, 4º, 2ª e-08010 BARCELONA ☎ (+34) 93.238.61.59 Fax. (+34) 932384375	<b>NL</b> Glen Dimplex Benelux B.V. – Netherlands Antennestraat 84 1322 AS Almere, Nederland E-mail: info@glendimplex.nl www.glendimplex.nl	<b>FR</b> Glen Dimplex France ZI Petite Montagne Sud 12 rue des Cévennes 91017 EVRY - LISSES www.glendimplex-france.fr	
<b>DE</b> Glen Dimplex Deutschland GmbH ewt-Kundendienst ☎ +49 (911) 1805 / 398 346 Fax. +49 (911) 1805 / 355 467 (14Ct./Min aus dem dt. Festnetz) Mobilfunkpreise koennen abweichen service@glendimplex.de	<b>UK</b> <a href="http://www.dimplex.co.uk">www.dimplex.co.uk</a> ☎ (+44) 0845 600 5111 Fax. (+44) 01489 773050 A division of the GDC Group Ltd.	<b>NO</b> Glen Dimplex Nordic HAVNEGATA 24, N 7500, Stjørdal, Norway. +(47) 74 82 91 00 Fax: +(47) 74 82 91 01 www.glendimplex.no email@glendimplex.no	<b>IT</b> Glen-Dimplex Italia S.r.l. via delle Rose 7, 24040 Iallio (BG) ☎ 035-201042 Fax. 035-200492 info@glendimplex.it								
<b>ES</b> Glen Dimplex España S.L. C/ Bailén, 20, 4º, 2ª e-08010 BARCELONA ☎ (+34) 93.238.61.59 Fax. (+34) 932384375	<b>NL</b> Glen Dimplex Benelux B.V. – Netherlands Antennestraat 84 1322 AS Almere, Nederland E-mail: info@glendimplex.nl www.glendimplex.nl	<b>FR</b> Glen Dimplex France ZI Petite Montagne Sud 12 rue des Cévennes 91017 EVRY - LISSES www.glendimplex-france.fr									

**UK**

- Warranty Card
- Guarantee Period (in Years)
- Model(s)
- Date of Purchase
- Stamp & Signature of retailer
- Fault/Defect
- Contact Number & Address

**DE**

- Garantiekarte
- Garantiezeitraum (in Jahre)
- Modell(e)
- Kaufdatum
- Stempel & Unterschrift des Einzelhändlers
- Fehler/Defekt
- Kontakt-Tel.-Nr. & - Anschrift

**FR**

- Bon de garantie
- Période de garantie (en années)
- Modèle(s)
- Date d'achat
- Cachet et signature du vendeur
- Anomalie/Défaut
- Nom et adresse du contact

**IT**

- Scheda di garanzia
- Periodo di garanzia (in anni)
- Modello(i)
- Data di acquisto
- Timbro e firma del rivenditore
- Guasto/difetto
- Indirizzo e numero di contatto

**ES**

- Tarjeta de garantía
- Periodo de garantía (en años)
- Modelo(s)
- Fecha de adquisición
- Sello y firma del distribuidor
- Avería/Defecto
- Número y dirección de contacto

**PT**

- Cartão de Garantia
- Período de Garantia (em anos)
- Modelo(s)
- Data de Compra
- Carimbo e Assinatura do retalhista
- Falha/Defeito
- Número de Contacto e Morada

**NL**

- Garantiebewijs
- Garantieperiode (in jaren)
- Model(len)
- Aankoopdatum
- Stempel & Ondertekening detaillist
- Fout/Defect
- Telefoonnummer & Adres

**DK**

- Garantikort
- Garantieperiode (i år)
- Model(ler)
- Købsdato
- Detailhandlers stempel & underskrift
- Fejl/defekt
- Kontaktnummer & -adresse

**SE**

- Garantikort
- Garantitid (i år)
- Modell(er)
- Inköpsdag
- Återförsäljarens stämpel och underskrift
- Fel
- Telefonnummer och adress för kontakt

**NO**

- Garantikort
- Garantieperiode (i år)
- Modell(er)
- Kjøpsdato
- Selgers stempel og signatur
- Feil/defekt
- Kontaktnummer og adresse

**FI**

- Takuukortti
- Takuuaika (vuosina)
- Malli(t)
- Ostopäivämäärä
- Myyntiliikkeen leima ja allekirjoitus
- Vika/vaurio
- Yhteysnumero ja osoite

**PL**

- Karta gwarancyjna
- Okres gwarancji (w latach)
- Model(e)
- Data zakupu
- Pieczec i podpis sprzedawcy
- Usterka
- Telefon i adres kontaktowy

**CZ**

- Záruční list
- Záruční doba (roky)
- Model(y)
- Datum zakoupení
- Razítko a podpis prodejce
- Porucha/chyba
- Kontaktní číslo a adresa

**LV**

- Garantijas talons
- Garantijas periods (gadi)
- Modelis(li)
- Legades datums
- Mazumtirgotāja zimogs un paraksts
- Bojajums/defekts
- Kontaktinformācija un adrese

**SI**

- Garancijski list
- Obdobje veljavnosti garancije (v letih)
- Model(i)
- Datum nakupa
- Žig in podpis prodajalca
- Pomanjkljivost/okvara
- Kontaktna številka in naslov

**SK**

- Záručný list
- Záručné obdobie (v rokoch)
- Model(y)
- Dátum kúpy
- Pecat & Podpis obchodníka
- Porucha/závada
- Kontaktujte číslo & adresu

**LT**

- Garantijos kortele
- Garantijos laikotarpis (metais)
- Modelis (modeliai)
- Pirkimo data
- Prekybininko antspaudas ir parašas
- Gedimas / defektas
- Numeris ir adresas kontaktams

**EE**

- Garantiikaart
- Garantiaeg (aastates)
- Mudel(id)
- Ostukuupäev
- Kaupluse tempel & allkirri
- Viga/defekt
- Kontaktnumber & aadress

**HU**

- Garancialevél
- Garancia időtartama (években)
- Modell(ek)
- Vásárlás időpontja
- Eladó bélyegzője és aláírása
- Hiba/Hiány megnevezése
- Értesítési telefonszám és cím

**HR**

- Jamstvena kartica
- Jamstveni period (u godinama)
- Model(i)
- Datum kupnje
- Pecat i potpis dobavljača
- Kvar/defekt
- Broj i adresa za kontakt

**GR**

- Κάρτα εγγύησης
- Περίοδος ισχύος της εγγύησης (έτη)
- Μοντέλο(α)
- Ημερομηνία αγοράς
- Σφραγίδα και υπογραφή εμπόρου
- Σφάλμα/Ελάττωμα
- Αριθμός τηλεφώνου και διεύθυνση επικοινωνίας

**BG**

- Гаранционна карта
- Гаранционен период (в години)
- Модел(и)
- Дата на покупка
- Печат и подпис на търговеца
- Неизправност/Дефект
- Адрес и телефон за контакт

**RU**

- Гарантийная карта
- Срок действия гарантии(в годах)
- Модель (модели)
- Дата покупки
- Штамп и подпись озничного продавца
- Неисправность/дефект
- Номер контактного телефона и адрес

**KZ**

- Кепілдік картасы
- Кепілдік мерзімі
- Үлгі(лер)
- Сатылған күні
- Сатушының мәрі мен қолтаңбасы
- Кемістік/Ақаулық
- Байланыс телефоны және мекен-жайы